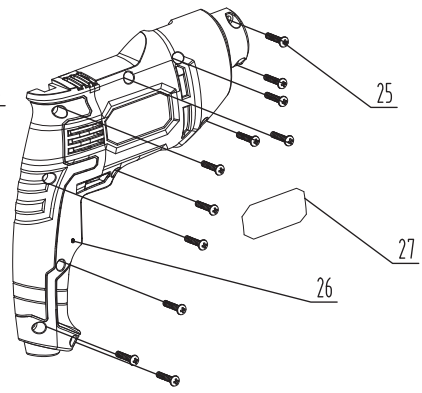
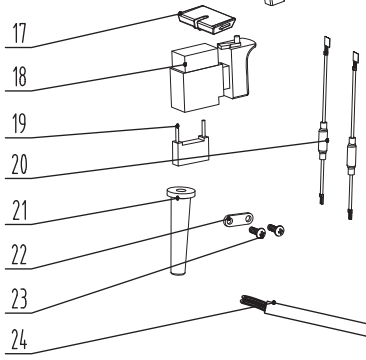


Product Name
Electric Drill
Product Code
MPED450VF
Articls Code
111-0204
Version
19-0054
Date
2019-12-18



MPED450VF SPARE PART LIST

PART NO.	ARTICLE CODE	DESCRIPTION	SPECIFICATION	WEARING PART	QTY REQUIRED	UNIT
1	111-0204-001	Screw	M6X20	X	1	Pcs
2	111-0204-002	Chuck		X	1	Pcs
3	111-0204-003	Output spindle	40Cr	X	1	Pcs
4	111-0204-004	Steel ball	GCr15 Φ4	X	2	Pcs
5	111-0204-005	Bearing	6002ZZ	X	1	Pcs
6	111-0204-006	Big gear	40Cr	X	1	Pcs
7	111-0204-007	Bearing	607ZZ	X	1	Pcs
8	111-0204-008	Bearing	608ZZ	X	1	Pcs
9	111-0204-009	Level ruler		X	1	Pcs
10	111-0204-010	Rotor		√	1	Pcs
11	111-0204-011	Carbon brush		√	1	Pair
12	111-0204-012	Brush holder	Bakelite	X	2	Pcs
13	111-0204-013	Stator		X	1	Pcs
14	111-0204-014	Bearing	607ZZ	X	1	Pcs
15	111-0204-015	Left housing	PA6-GF30/TPE	X	1	Pcs
16	111-0204-016	Belt buckle	PA6-GF30	X	1	Pcs
17	111-0204-017	Change button	PA6-GF30	X	1	Pcs
18	111-0204-018	Switch		√	1	Pcs
19	111-0204-019	Capacitor	0.33UF	X	1	Pcs
20	111-0204-020	Inductance		X	2	Pcs
21	111-0204-021	Wire coat	PVC	X	1	Pcs
22	111-0204-022	Cable restraint	Q235A	X	1	Pcs
23	111-0204-023	Screw	ST4.2X12	X	2	Pcs
24	111-0204-024	Power cord		X	1	Pcs
25	111-0204-025	Screw	ST4.2X16	X	11	Pcs
26	111-0204-026	Right housing	PA6-GF30/TPE	X	1	Pcs
27	111-0204-027	Nameplate		X	1	Pcs
28	111-0204-028	Rating label		X	1	Pcs
29	111-0204-029	User manual		X	1	Pcs
30	111-0204-030	Corlor box		X	1	Pcs
31	111-0204-031	Carton box		X	1	Pcs

Assembly

PART NO.	ARTICLE CODE	DESCRIPTION	SPECIFICATION	WEARING PART	QTY REQUIRED	
32	111-0204-032	Gear assembly		X	1	Set
3	111-0204-003	Output spindle	40Cr	/	/	
4	111-0204-004	Steel ball	GCr15 Φ4	/	/	
5	111-0204-005	Bearing	6002ZZ	/	/	
6	111-0204-006	Big gear	40Cr	/	/	
7	111-0204-007	Bearing	607ZZ	/	/	

33	111-0204-033	Rotor assembly		√	1	Set
8	111-0204-008	Bearing	608ZZ	/	/	
10	111-0204-010	Rotor		/	/	
14	111-0204-014	Bearing	607ZZ	/	/	