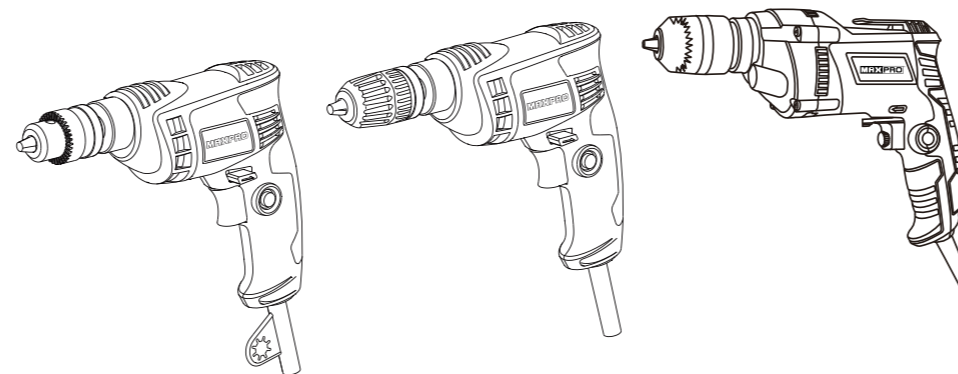


MAXPRO[®]

PROFESSIONAL

GB Electric drill	1-6
FR Perceuse	7-12
ES Taladro eléctrico	13-18
RU Дрель	19-25



MPED321V
MPED321VF
MPED600/10V

CE DECLARATION OF CONFORMITY MPED321V MPED321VF MPED600/10V

GB CE DECLARATION OF CONFORMITY

We declare under our sole responsibility that this product is in conformity with the following standards

FR DÉCLARATION DE CONFORMITE CE

Nous déclarons sous notre propre responsabilité que ce produit est en conformité avec les normes ou documents normalisés suivants:

ES DECLARACIÓN DE CONFORMIDAD CE

Declaramos bajo nuestra sola responsabilidad que este producto está en conformidad con las normas o documentos normalizados siguientes:

RU ДЕКЛАРАЦИЯ О СООТВЕТСТВИИ СТАНДАРТАМ CE

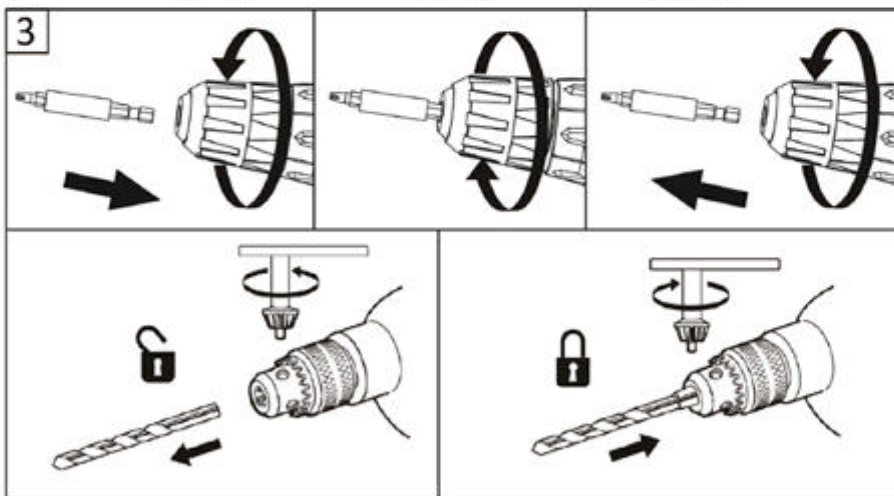
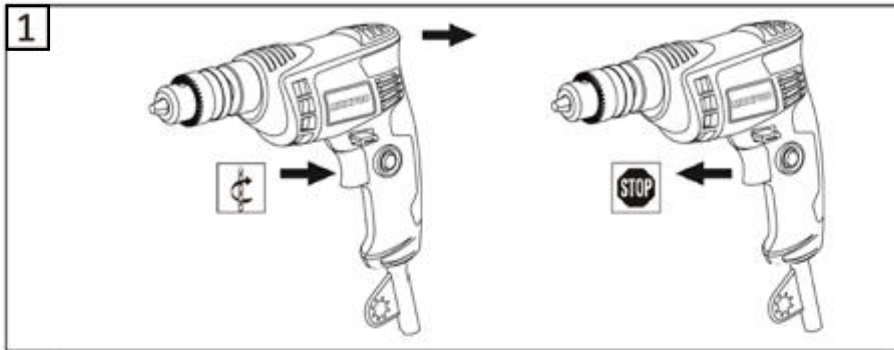
Мы с полной ответственностью заявляем, что это изделие соответствует следующим стандартам или стандартизованным документам:

EN60745-1:2009+A11:10, EN60745-2-1:2010, EN60745-2-2:2010
2006/42/EC, 2014/35/EU, 2014/30/EU, 2011/65/EU, 2012/19/EU

Chief Executive Officer:

KREBS GmbH D-72124 PLIEZHUSEN
04-24-2018

www.maxpro-tools.com
2021-01



Contents

TECHNICAL DATA.....	1
APPLICATION.....	2
WARNING.....	2
GENERAL SAFETY.....	2
SAFETY INSTRUCTION FOR ELECTRIC DRILL.....	3
SYMBOLS.....	4
OPERATING INSTRUCTION.....	4
CLEANING AND MAINTENENCE.....	5
ENVIRONMENT.....	5
TROUBLE SHOOTING.....	5

TECHNICAL DATA

Model	MPED321V	MPED321VF	MPED600/10V
Article code	111-0206	111-0207	111-0208
Voltage	220-240V~ 50/60Hz	220-240V~ 50/60Hz	220-240V~ 50/60Hz
Rated power input	320W	320W	600W
No-load speed	0-4200/min	0-4200/min	0-1700/min
Chuck capacity	0.6-6.5mm	0.6-6.5mm	10mm
Cable	PVC	PVC	PVC
Cable length	2M	2M	2M
Weight according to EPTA-Procedure 01/2003	1.0KG	1.0KG	1.0KG

Noise/Vibration Information

LpA sound pressure level	78dB(A)	78dB(A)	78dB(A)
LWA sound power level	89dB(A)	89dB(A)	89dB(A)
Uncertainty	3 dB(A)	3 dB(A)	3 dB(A)
Vibration emission value	2.2m/s ²	2.2m/s ²	2.2m/s ²
Uncertainty	1.5 m/s ²	1.5 m/s ²	1.5 m/s ²

The vibration emission level given in this information sheet has been measured in accordance with a standardised test given in EN 60745 and may be used to compare one tool with another. It may be used for a preliminary assessment of exposure.

The declared vibration emission level represents the main applications of the tool. However if the tool is used for different applications, with different accessories or poorly maintained, the vibration emission may differ. This may significantly increase the exposure level over the total working period.

An estimation of the level of exposure to vibration should also take into account the times when the tool is switched off or when it is running but not actually doing the job. This may significantly reduce the exposure

level over the total working period.

Identify additional safety measures to protect the operator from the effects of vibration such as: maintain the tool and the accessories, keep the hands warm, organisation of work patterns.

APPLICATION

This tool is intended for drilling in wood, metal, ceramic and plastic as well as for screwdriving.

MAXPRO® are devoted to continuously improving and perfecting the existing products. Therefore, the technical performance and design concept of products may vary without any prior notice; our apology for any possible incurrance of inconvenience therefrom. Read and follow the operating instructions and safety information before using for the first time. Save this manual.

WARNING

Remove the plug from the socket before carrying out any adjustment, servicing or maintenance. Read all safety warnings and all instructions. Failure to follow the warnings and instructions may result in electric shock, fire and/or serious injury. Make sure the voltage corresponds to the type label on the unit. Packing materials are no toys! Children must not play with plastic bags! Danger of suffocation! The power tool noise output may exceed 85dB(A) at the workplace. In this instance, wear ear protection.

GENERAL SAFETY

Read all safety warnings and all instructions. Failure to follow the warnings and instructions may result in electric shock, fire and/or serious injury.

Save all warnings and instructions for future reference.

The term “power tool” in the warnings refers to your mains-operated (corded) power tool or battery-operated (cordless) power tool.

1) Work area safety

- a) Keep work area clean and well lit.** Cluttered or dark areas invite accidents.
- b) Do not operate power tools in explosive atmospheres, such as in the presence of flammable liquids, gases or dust.** Power tools create sparks which may ignite the dust or fumes.
- c) Keep children and bystanders away while operating a power tool.** Distractions can cause you to lose control.

2) Electrical safety

- a) Power tool plugs must match the outlet. Never modify the plug in any way. Do not use any adapter plugs with earthed (grounded) power tools.** Unmodified plugs and matching outlets will reduce risk of electric shock.
- b) Avoid body contact with earthed or grounded surfaces, such as pipes, radiators, ranges and refrigerators.** There is an increased risk of electric shock if your body is earthed or grounded.
- c) Do not expose power tools to rain or wet conditions.** Water entering a power tool will increase the risk of electric shock.
- d) Do not abuse the cord. Never use the cord for carrying, pulling or unplugging the power tool. Keep cord away from heat, oil, sharp edges and moving parts.** Damaged or entangled cords increase the risk of electric shock.
- e) When operating a power tool outdoors, use an extension cord suitable for outdoor use.** Use of a cord suitable for outdoor use reduces the risk of electric shock.
- f) If operating a power tool in a damp location is unavoidable, use a residual current device (RCD) protected supply.** Use of an RCD reduces the risk of electric shock.

3) Personal safety

- a) Stay alert, watch what you are doing and use common sense when operating a power tool. Do not use a power tool while you are tired or under the influence of drugs, alcohol or medication.** A moment of inattention while operating power tools may result in serious personal injury.
- b) Use personal protective equipment. Always wear eye protection.** Protective equipment such as dust

mask, non-skid safety shoes, hard hat, or hearing protection used for appropriate conditions will reduce personal injuries.

c) Prevent unintentional starting. Ensure the switch is in the off-position before connecting to power source and/or battery pack, picking up or carrying the tool. Carrying power tools with your finger on the switch or energising power tools that have the switch on invites accidents.

d) Remove any adjusting key or wrench before turning the power tool on. A wrench or a key left attached to a rotating part of the power tool may result in personal injury.

e) Do not overreach. Keep proper footing and balance at all times. This enables better control of the power tool in unexpected situations.

f) Dress properly. Do not wear loose clothing or jewellery. Keep your hair, clothing and gloves away from moving parts.

Loose clothes, jewellery or long hair can be caught in moving parts.

g) If devices are provided for the connection of dust extraction and collection facilities, ensure these are connected and properly used. Use of dust collection can reduce dust-related hazards.

4) Power tool use and care

a) Do not force the power tool. Use the correct power tool for your application. The correct power tool will do the job better and safer at the rate for which it was designed.

b) Do not use the power tool if the switch does not turn it on and off. Any power tool that cannot be controlled with the switch is dangerous and must be repaired. **c) Disconnect the plug from the power source and/or the battery pack from the power tool before making any adjustments, changing accessories, or storing power tools.** Such preventive safety measures reduce the risk of starting the power tool accidentally.

d) Store idle power tools out of the reach of children and do not allow persons unfamiliar with the power tool or these instructions to operate the power tool. Power tools are dangerous in the hands of untrained users.

e) Maintain power tools. Check for misalignment or binding of moving parts, breakage of parts and any other condition that may affect the power tool's operation. If damaged, have the power tool repaired before use. Many accidents are caused by poorly maintained power tools.

f) Keep cutting tools sharp and clean. Properly maintained cutting tools with sharp cutting edges are less likely to bind and are easier to control.

g) Use the power tool, accessories and tool bits etc. in accordance with these instructions, taking into account the working conditions and the work to be performed.

Use of the power tool for operations different from those intended could result in a hazardous situation.

5) Service









a) Have your power tool serviced by a qualified repair person using only identical replacement parts. This will ensure that the safety of the power tool is maintained.

SAFETY INSTRUCTION FOR ELECTRIC DRILL

- **Avoid damage that can be caused by screws, nails and other elements in your workpiece; remove them before you start working**
- **Always check that the supply voltage is the same as the voltage indicated on the nameplate of the tool**
- **Maxpro can assure flawless functioning of the tool only when original accessories are used**
- **Use only accessories with an allowable speed matching at least the highest no-load speed of the tool**
- **This tool should not be used by people under the age of 16 years**
- **Use completely unrolled and safe extension cords with a capacity of 16 Amps (U.K. 13 Amps)**
- **Always keep the cord away from moving parts of the tool**
- **If the cord is damaged or cut through while working, do not touch the cord, but immediately disconnect the plug**
- **Never use the tool when cord is damaged; have it replaced by a qualified person**
- **If the drill bit becomes unexpectedly jammed (causing a sudden, dangerous reaction), immediately switch off the tool**
- **In case of electrical or mechanical malfunction, immediately switch off the tool and disconnect the plug**
- **Secure the work piece (a work piece clamped with clamping devices or in a vice is held more securely than by hand)**

- Hold the power tool only by the insulated gripping surfaces when performing an operation where the accessory may contact hidden wiring or its own power cord (contact with a “live” wire will also make exposed metal parts of the power tool “live” and shock the operator)
- Use suitable detectors to find hidden utility lines or call the local utility company for assistance (contact with electric lines can lead to fire or electrical shock; damaging a gas line can result in an explosion; penetrating a water pipe will cause property damage or an electrical shock)
- Do not work materials containing asbestos (asbestos is considered carcinogenic)
- Dust from material such as paint containing lead, some wood species, minerals and metal may be harmful (contact with or inhalation of the dust may cause allergic reactions and/or respiratory diseases to the operator or bystanders); wear a dust mask and work with a dust extraction device when connectable
- Certain kinds of dust are classified as carcinogenic (such as oak and beech dust) especially in conjunction with additives for wood conditioning; wear a dust mask and work with a dust extraction device when connectable
- Follow the dust-related national requirements for the materials you want to work with
- When you put away the tool, switch off the motor and ensure that all moving parts have come to a complete standstill
- Always disconnect plug from power source before making any adjustment or changing any accessory WHEN CONNECTING NEW 3-PIN PLUG (U.K. ONLY):
- Do not connect the blue (= neutral) or brown (= live) wire in the cord of this tool to the earth terminal of the plug
- If for any reason the old plug is cut off the cord of this tool, it must be disposed of safely and not left unattended

SYMBOLS

	Read the manual		Wear ear protection
	Warning		Wear dust mask
	Double insulation		Do not dispose of old appliances in the household garbage
	Wear eye protection		Disconnect from power supply while maintenance

OPERATING INSTRUCTION

USE (Fig.1) (Fig.2)

- (1) On/Off
- (2) Speed control for smooth starting
- (3) Push the left and right knobs to adjust the left and right rotation direction of the machine
- (4) when not properly set in left/right position, switch cannot be activated

! change direction of rotation only when tool is at a complete standstill

Changing bits (Fig.3)

- insert the bit as deep as possible in the chuck

! do not use bits with a damaged shank

I serti g the Drill (Fig.3)

First remove the mains supply from the socket. Turn the ring of the drill chuck (1) until the clamping jaws are open wide enough. Insert the drill into the clamping jaws of the drill chuck (1). Insert the end of the drill chuck key (7) into one of the three holes on the body of the drill chuck (1) and let the head of the key (7) lock into place in the ring of the drill chuck (1). In order to tighten the clamping jaws and fix the drill

in place, turn the drill chuck key (7) in a clockwise direction. Important: Then remove the key (7) from the chuck (1)!

CLEANING AND MAINTANCE

ADD OIL IN IT OF TEN. The drill is a speed working tool. The lubrication grease is volatilized easily so the grease in reduction case and bearing must often be kept clean and add or change it anytime needed. CHECKING AND MATNTENANCEONITFREQUENTLY. The drill should be checked, repaired day to day and see whether the power wire, the plug and the switch work well or not. Pay attention to everything such as whether the insulation resistance works normally, the handle is flexible, the inverter and brushes are well contacted, the armature winding and the stator winding are in short circuit or broken circuit, and the bearing, the other moving parts are damaged, etc. EACH PART SHOULD BE WELL KEPT AND WHEN YOU WANT TO CHANGE THE PART. USING THE SAME ONES. When the drill needs taking apart and checking, do keep each part including insulation liner and casing pipe. If they are damaged you must change the new one and the same one. Be sure not to use the substitution materials which is worse than one ne used and the part which does not agree with the standard. When fixing, you must put the parts in their proper position as usual and should not omit any of them. BE CAREFUL OF THE INSULATION RESISTANC The drill not be used for long or to have been used in damp condition must be tested in its vinding of the insulation resistance with a 500 milion ohm meter. If the winding and iron center is less than 2 milion ohms, you must drying treatment to the winding until more than 2 milion ohms. STORED CARETULLY The drill should be kept in a dry clean place and without any corrosive gases.

ENVIRONMENT

Do not dispose of electric tools, accessories and packaging together with household waste material - in observance of European Directive 2002/96/EC on waste of electric and electronic equipment and its implementation in accordance with national law, electric tools that have reached the end of their life must be collected separately and returned to an environmentally compatible recycling facility.

TROUBLE SHOOTING

Fault Symptom	Possible Cause	Troubleshooting
Out of service at switch-on	Shortcircuit in motor winding	Replace stator/rotor by repairer
	Disconnection between plug and power socket	Put plug in power socket
	No voltage in supply socket	Check and repair power supply
	Loose switching contact	Replace switchboard by repairer
	Disconnection between carbon brush and commutator	Check connection between carbon brush and commutator by repairer
Excessive sparking	Underpressure in carbon brush spring	Replace carbon brush by repairer
	Excessive wearout of carbon brush	Replace carbon brush by repairer
	Ring fire caused by shortcircuit in rotor winding shortcircuit	Check or replace rotor by repairer
	Ring fire caused by shortcircuit in commutator segment	Check or replace rotor by repairer
Drilling speed drop	Low supply voltage	Regulate supply voltage
	Damage in machinery parts	Replace machinery parts by repairer
	Shortcircuit in rotor	Check or replace rotor by repairer
	Blcokup at drilling bit during drilling metallized product	Stop drilling

Machine superheating	Electromotor overload	Normally operate with reference to specification
	Unsmooth air outlet	Clear up air intake/outlet
Drill chuck in loosening	Drill chuck in wide loosening	Replace drill chuck by repairer

Table des matières

DONNÉES TECHNIQUES.....	7
APPLICATION.....	8
AVERTISSEMENT.....	8
INSTRUCTIONS GENERALES DE SECURITE.....	8
INSTRUCTIONS DE SECURITE POUR PERCEUSE.....	9
SYMBOLES.....	10
INSTRUCTION D'OPERATION.....	11
NETTOYAGE ET MAINTENANCE.....	11
ENVIRONNEMENT.....	11
RESOLUTION DE PROBLEMES.....	12

DONNÉES TECHNIQUES

Modèle	MPED321V	MPED321VF	MPED600/10V
Le code d'article	111-0206	111-0207	111-0208
Tension	220-240V~ 50/60Hz	220-240V~ 50/60Hz	220-240V~ 50/60Hz
Puissance	320W	320W	600W
Vitesse à vide	0-4200/min	0-4200/min	0-1700/min
Taille de Mandrin	0.6-6.5mm	0.6-6.5mm	10mm
câble	PVC	PVC	PVC
Longueur de câble	2M	2M	2M
Poids suivant EPTA- Procédure 01/2003	1.0KG	1.0KG	1.0KG
Niveau sonore et vibrations			
LpA niveau de pression acoustique	78dB(A)	78dB(A)	78dB(A)
LWA niveau de puissance acoustique	89dB(A)	89dB(A)	89dB(A)
Incertitude	3 dB(A)	3 dB(A)	3 dB(A)
Valeur d'émission des vibrations	2.2m/s ²	2.2m/s ²	2.2m/s ²
Incertitude	1.5 m/s ²	1.5 m/s ²	1.5 m/s ²

Le niveau d'oscillation indiqué dans ces instructions d'utilisation a été mesuré conformément à la norme EN 60745 et peut être utilisé pour une comparaison d'outils électroportatifs. Il est également approprié pour une estimation préliminaire de la charge vibratoire.

Le niveau d'oscillation correspond aux utilisations principales de l'outil électroportatif. Si l'outil électrique est cependant utilisé pour d'autres applications, avec d'autres outils de travail ou avec un entretien non approprié, le niveau d'oscillation peut être différent. Ceci peut augmenter considérablement la charge vibratoire pendant toute la durée de travail.

Pour une estimation précise de la charge vibratoire, il est recommandé de prendre aussi en considération les périodes pendant lesquelles l'appareil est éteint ou en fonctionnement, mais pas vraiment utilisé. Ceci

peut réduire considérablement la charge vibratoire pendant toute la durée de travail. Déterminez des mesures de protection supplémentaires pour protéger l'utilisateur des effets de vibrations, telles que par exemple : entretien de l'outil électrique et des outils de travail, maintenir les mains chaudes, organisation judicieuse des opérations de travail.

APPLICATION

Cet outil est conçu pour le perçage dans le bois, le métal, La céramique et les matières plastiques ainsi que pour le vissage

MAXPRO est décidé à l'amélioration continue et au perfectionnement de ses produits existants. Par conséquent, la performance technique et le design des produits peuvent varier sans préavis; nous vous présentons nos excuses pour toute possible gêne occasionnée due à cela. Lisez et suivez les instructions de mise-en-route ainsi que les conseils de sécurité avant la première utilisation. **Conserver ce manuel.**

AVERTISSEMENT

Avant d'effectuer aucun réglage, l'entretien ou la maintenance : débrancher la machine en retirant la prise électrique. Lisez tous les avertissements de sécurité et les instructions. Ne pas suivre ces avertissements et ces instructions pourraient entraîner un choc électrique, un incendie et/ ou des blessures graves. Assurez-vous que la tension correspond aux données inscrites sur la machine. **Les matériaux d'emballage ne sont pas de jouets! Les enfants ne doivent pas jouer avec des sacs en plastique! Risque de suffocation! Le niveau de pression acoustique peut dépasser 85dB(A) dans le lieu de travail. Dans ce cas-là, porter des protections auditives.**

INSTRUCTIONS GENERALES DE SECURITE

ATTENTION! Lisez tous les avertissements de sécurité et toutes les instructions. Ne pas suivre les avertissements et instructions peut entraîner un choc électrique, un incendie et/ou de graves blessures sur les personnes. **Conservez tous les avertissements et toutes les instructions pour pouvoir s'y reporter ultérieurement.** La notion d'"outil électroportatif" dans les avertissements se rapporte à des outils électriques raccordés au secteur (avec câble de raccordement) et à des outils électriques à batterie (sans câble de raccordement).

1) SECURITE DE LA ZONE DE TRAVAIL

- a) **Maintenez l'endroit de travail propre et bien éclairé.** Un lieu de travail en désordre ou mal éclairé augmente le risque d'accidents.
- b) **N'utilisez pas l'appareil dans un environnement présentant des risques d'explosion et où se trouvent des liquides, des gaz ou poussières inflammables.** Les outils électroportatifs génèrent des étincelles risquant d'enflammer les poussières ou les vapeurs.
- c) **Tenez les enfants et autres personnes éloignés durant l'utilisation de l'outil électroportatif.** En cas d'inattention vous risquez de perdre le contrôle sur l'appareil.

2) SECURITE RELATIVE AU SYSTEME ELECTRIQUE

- a) **La fiche de secteur de l'outil électroportatif doit être appropriée à la prise de courant. Ne modifiez en aucun cas la fiche. N'utilisez pas de fiches d'adaptateur avec des appareils avec mise à la terre.** Les fiches non modifiées et les prises de courant appropriées réduisent le risque de choc électrique.
- b) **Évitez le contact physique avec des surfaces mises à la terre telles que tuyaux, radiateurs, fours et réfrigérateurs.** Il y a un risque élevé de choc électrique au cas où votre corps serait relié à la terre.
- c) **N'exposez pas l'outil électroportatif à la pluie ou à l'humidité.** La pénétration d'eau dans un outil électroportatif augmente le risque d'un choc électrique.
- d) **N'utilisez pas le câble à d'autres fins que celles prévues, n'utilisez pas le câble pour porter l'appareil ou pour l'accrocher ou encore pour le débrancher de la prise de courant. Maintenez le câble éloigné des sources de chaleur, des parties grasses, des bords tranchants ou des parties de l'appareil en rotation.** Un câble endommagé ou torsadé augmente le risque d'un choc électrique.
- e) **Au cas où vous utiliseriez l'outil électroportatif à l'extérieur, utilisez une rallonge autorisée homologuée pour les applications extérieures.** L'utilisation d'une rallonge électrique homologuée pour les applications extérieures réduit le risque d'un choc électrique.

f) **Si l'usage d'un outil dans un emplacement humide est inévitable, utilisez un disjoncteur de fuite à la terre.** L'utilisation d'un disjoncteur de fuite à la terre réduit le risque de choc électrique.

3) SECURITE DES PERSONNES

- a) **Restez vigilant, surveillez ce que vous faites. Faites preuve de bon sens en utilisant l'outil électroportatif. N'utilisez pas l'appareil lorsque vous êtes fatigué ou après avoir consommé de l'alcool, des drogues ou avoir pris des médicaments.** Un moment d'inattention lors de l'utilisation de l'appareil peut entraîner de graves blessures sur les personnes.
- b) **Portez des équipements de protection. Portez toujours des lunettes de protection.** Le fait de porter des équipements de protection personnels tels que masque anti-poussières, chaussures de sécurité antidérapantes, casque de protection ou protection acoustique suivant le travail à effectuer, réduit le risque de blessures.
- c) **Évitez tout démarrage intempestif. S'assurez que l'interrupteur est en position arrêt avant de brancher l'outil au secteur et/ou au bloc de batteries, de le ramasser ou de le porter.** Porter les outils en ayant le doigt sur l'interrupteur ou brancher des outils dont l'interrupteur est en position marche est source d'accidents.
- d) **Enlevez tout outil de réglage ou toute clé avant de mettre l'appareil en fonctionnement.** Une clé ou un outil se trouvant sur une partie en rotation peut causer des blessures.
- e) **Ne surestimez pas vos capacités. Veillez à garder toujours une position stable et équilibrée.** Ceci vous permet de mieux contrôler l'appareil dans des situations inattendues.
- f) **Portez des vêtements appropriés. Ne portez pas de vêtements amples ni de bijoux. Maintenez cheveux, vêtements et gants éloignés des parties de l'appareil en rotation.** Des vêtements amples, des bijoux ou des cheveux longs peuvent être happés par des pièces en mouvement.
- g) **Si des dispositifs servant à aspirer ou à recueillir les poussières doivent être utilisés, vérifiez que ceux-ci soient effectivement raccordés et qu'ils sont correctement utilisés.** L'utilisation des collecteurs de poussière réduit les dangers dus aux poussières.

4) UTILISATION ET EMPLOI SOIGNEUX DE L'OUTIL ELECTROPORTATIF

- a) **Ne surchargez pas l'appareil. Utilisez l'outil électroportatif approprié au travail à effectuer.** Avec l'outil électroportatif approprié, vous travaillerez mieux et avec plus de sécurité à la vitesse pour laquelle il est prévu.
 - b) **N'utilisez pas un outil électroportatif dont l'interrupteur est défectueux.** Un outil électroportatif qui ne peut plus être mis en ou hors fonctionnement est dangereux et doit être réparé.
 - c) **Débranchez la fiche de la source d'alimentation en courant et/ou le bloc de batteries de l'outil avant tout réglage, changement d'accessoires ou avant de ranger l'outil.** Cette mesure de précaution empêche une mise en fonctionnement par mégarde.
 - d) **Gardez les outils électroportatifs non utilisés hors de portée des enfants. Ne permettez pas l'utilisation de l'appareil à des personnes qui ne se sont pas familiarisées avec celui-ci ou qui n'ont pas lu ces instructions.** Les outils électroportatifs sont dangereux lorsqu'ils sont utilisés par des personnes non initiées.
 - e) **Prenez soin des outils électroportatifs. Vérifiez que les parties en mouvement fonctionnent correctement et qu'elles ne soient pas coincées, et contrôlez si des parties sont cassées ou endommagées de telle sorte que le bon fonctionnement de l'appareil s'en trouve entravé. Faites réparer les parties endommagées avant d'utiliser l'appareil.** De nombreux accidents sont dus à des outils électroportatifs mal entretenus.
 - f) **Maintenez les outils de coupe aiguisés et propres.** Des outils soigneusement entretenus avec des bords tranchants bien aiguisés se coincent moins souvent et peuvent être guidés plus facilement.
 - g) **Utilisez les outils électroportatifs, les accessoires, les outils à monter etc. conformément à ces instructions. Tenez compte également des conditions de travail et du travail à effectuer.** L'utilisation des outils électroportatifs à d'autres fins que celles prévues peut entraîner des situations dangereuses.
- ### 5) SERVICE
- a) **Ne faites réparer votre outil électroportatif que par un personnel qualifié et seulement avec des pièces de rechange d'origine.** Ceci permet d'assurer la sécurité de l'appareil.

INSTRUCTIONS DE SECURITE POUR PERCEUSE

- Faites attention aux vis, clous ou autres éléments qui pourraient se trouver dans la pièce à travailler et qui

- risqueraient d'endommager très fortement votre outil; enlevez-les avant de commencer le travail
- Contrôlez toujours si la tension secteur correspond à la tension indiquée sur la plaquette signalétique de l'outil (les outils conçus pour une tension de 230V ou 240V peuvent également être branchés sur 220V)
 - SKIL ne peut se porter garant du bon fonctionnement de cet outil que s'il a été utilisé avec les accessoires d'origine
 - La vitesse admissible des accessoires utilisés doit être au moins aussi élevée que la vitesse à vide maximale de l'outil
 - Cet outil ne doit pas être utilisé par des personnes de moins de 16 ans
 - Utilisez un câble de prolongement complètement déroulé et de bonne qualité d'une capacité de 16 A
 - Tenez toujours le câble éloigné des parties mobiles de l'outil
 - Si le câble est endommagé ou rompu pendant le travail, n'y touchez pas, mais débranchez immédiatement la prise
 - N'utilisez jamais d'outil avec un câble endommagé; faites-le remplacer par un technicien qualifié
 - En cas de blocage de la mèche (générant une contre-réaction violente et dangereuse), éteignez immédiatement l'outil
 - En cas de dysfonctionnement électrique ou mécanique, mettez directement l'outil hors service et débranchez la fiche
 - **Fixez solidement la pièce à travailler** (une pièce fixée à l'aide de dispositifs de fixation est davantage assurée que si elle était tenue à la main)
 - **Ne tenez l'outil électroportatif qu'aux poignées isolées, si, pendant les travaux, l'accessoire risque de toucher des câbles électriques cachés ou son propre câble d'alimentation** (le contact avec des conduites sous tension a pour conséquence une mise sous tension des parties métalliques de l'outil électrique et provoque une décharge électrique)
 - **Utilisez des détecteurs appropriés afin de localiser la présence de conduites électriques ou bien s'adresser à la société locale de distribution** (un contact avec des lignes électriques peut provoquer un incendie et une décharge électrique; le fait d'endommager une conduite de gaz peut entraîner une explosion; le fait d'endommager une conduite d'eau peut entraîner des dégâts matériels ou causer une décharge électrique)
 - **Ne travaillez pas de matériaux contenant de l'amiante** (l'amiante est considérée comme étant cancérigène)
 - La poussière de matériaux, tels que la peinture contenant du plomb, certaines espèces de bois, certains minéraux et différents métaux, peut être nocive (le contact avec la poussière ou son inhalation peut provoquer des réactions allergiques et/ou des maladies respiratoires chez l'opérateur ou des personnes se trouvant à proximité); **portez un masque antipoussières et travaillez avec un appareil de dépoussiérage lorsqu'il est possible d'en connecter un**
 - Certains types de poussières sont classifiés comme étant cancérigènes (tels que la poussière de chêne ou de hêtre), en particulier en combinaison avec des additifs de traitement du bois; **portez un masque antipoussières et travaillez avec un appareil de dépoussiérage lorsqu'il est possible d'en connecter un**
 - Suivez les directives nationales relatives au dépoussiérage pour les matériaux à travailler
 - Lorsque vous rangez votre outil, le moteur doit être coupé et les pièces mobiles complètement arrêtées
 - **Débranchez toujours l'outil avant tout réglage ou changement d'accessoire**

SYMBOLES

	Lire attentivement la notice		Munissez-vous d'une protection acoustique
	Avertissement		Porter un masque anti-poussière
	Double isolation pour une protection supplémentaire		Ne pas jeter les appareils électroportatifs dans les ordures ménagères!

	Protection des yeux		S'il vous plaît débrancher l'alimentation avant l'entretien
---	---------------------	---	---

INSTRUCTION D'OPERATION

- Marche/arrêt 4 (Fig.1) (Fig.2)
 - Réglage de la vitesse pour démarrage doux 5
 - Appuyez sur les boutons gauche et droit pour régler le sens de rotation gauche et droit de la machine - quand l'outil n'est pas réglé exactement sur la position gauche/droite, il ne peut être mis en marche
 - **inversez uniquement le sens de rotation lorsque l'outil est à l'arrêt complet**
 - Changement des embouts 7 (Fig.3)
- enfoncez l'embout le plus profondément possible dans le mandrin
- ! ne pas utiliser des embouts avec une queue endommagée**
- Inserer la perceuse (Fig.3)**
- Tout d'abord, enlever les sources de courant principales de la prise. Tourner l'anneau de cette mandrin de perçage(1) pour que ces clamping mâchoires soient suffisamment larges. Insérer le perceur dans la clamping mâchoire de mandrin de perçage. Insérer le bout de la clé de mandrin de perçage dans une des trois trous dans le corps de mandrin de perçage(1) et laisser la tête de cette clé(7) verrouiller en place dans l'anneau de mandrin de perçage(1). Pour bien serrer le clamping mâchoire et fixer le perceur en place, tourner la clé(7) de mandrin de perçage dans le sens antihoraire.
- N.B: Ensuite, il faut enlever la clé(7) de cette mandrin(1)!

NETTOYAGE ET MAINTENANCE

1. AJOUTER SOUVENT DU PETROLE A CEI. Le semoir est un outil fonctionnel de vitesse. La graisse lubrifiante se volatilise facilement, donc, la graisse au cas de réduction et le roulement sont obligés d'être propres, et encore, la graisse doit être ajoutée et changée au cas nécessaire.
2. LE VERIFIER ET LE MAINTENIR FREQUEMMENT. Le semoir doit être vérifié et réparé jour par jour. Il faut confirmer si le fil de source d'électricité, la fiche électrique et le commutateur marchent bien. Faire attention à tout, par exemple, la résistance isolante marche normalement ou non; le manche est flexible ou non; l'inverseur et la brosse sont bien contactées ou non; si l'enroulement de l'armature est dans un circuit court ou cassé; si le roulement et les autres parties en mouvement sont endommagés, etc.
3. CHAQUE PARTIE DOIT ETRE BIEN MAINTIENIR QUANG VOUS VOULEZ CHANGER LA PARTIE. UTILISEZ LES MEMES UNS quand le semoir a besoin d'être démonté ou vérifié. Garder chaque partie, y compris la ligne isolante et la pipe d'enveloppe. Si elles sont endommagées, il vous faut les changer avec les unes nouvelles et mêmes. Être sûr de ne pas utiliser le matériau substitutif qui est pire que celui réutilisé et que la partie qui ne correspond pas au standard. Quand vous faites la réparation, il vous faut mettre les parties dans leurs propres positions comme d'habitude et ne pas omettre aucune d'elles.
4. ETRE SOIGNEUX DE L'ISOLATION RESISTANTE. Le semoir n'est pas utilisé pour longtemps ou est utilisé dans une condition humide, il faut tester son enroulement d'isolation résistante avec un galvanomètre de 500 ohms. Si l'enroulement et le centre de fer sont moindre de 2 millions d'ohms, il vous faut un traitement de sécher l'enroulement jusqu'à qu'il soit plus de 2 millions d'ohms
5. RESERVER SOIGNEUSEMENT. Le semoir doit être réservé dans une place sèche et propre, sans aucun gaz corrosive.

ENVIRONNEMENT

- Ne jetez pas les outils électriques, les accessoires et l'emballage dans les ordures ménagères** - conformément à la directive européenne 2002/96/EG relative aux déchets d'équipements électriques ou électroniques, et à sa transposition dans la législation nationale, les outils électriques usés doivent être collectés séparément et faire l'objet d'un recyclage respectueux de l'environnement

DÉPANNAGE

Description des pannes	Causes possibles	Méthode de dépannage
L'interrupteur en installation sans fonctionnement	La bobèche du moteur électrique est disjonctée	Remplacer le stator ou le rotor par le professionnel
	La fiche ne branche pas dans la prise d'alimentation	Brancher la fiche dans la prise de courant
	La douille électrique sans voltage	Examiner et réparer la source de courant
	Le mauvais contact de l'interrupteur	Demander aux personnels professionnels de réparer et remplacer l'interrupteur
	Sans contact entre le balai de charbon et le commutateur	Demander aux personnels professionnels d'examiner, réparer et remplacer la condition du contact de l'interrupteur
La machine marche avec la grosse étincelle	La pression du ressort de la brosse à carbone est insuffisante	Remplacer le balai de charbon par le professionnel
	L'usure excessive de la brosse à carbone	Remplacer le balai de charbon par le professionnel
	Le court-circuit de la bobèche de rotor a causé le feu torique	Demander aux professionnels de réviser ou remplacer le rotor
	Le court-circuit des lames de collecteur a causé le feu torique	Demander aux professionnels de réviser ou remplacer le rotor
Le ralentissement du fonctionnement	Le voltage de source d'électricité est bas	Ajuster le voltage de source d'électricité
	Le détriment des pièces de la machine	Demander aux personnels professionnels de remplacer les pièces de la machine
	Les courts-circuits dans le rotor	Demander aux professionnels de réviser ou remplacer le rotor
	Le foret est bloqué lors de percer les métaux	Arrêter l'opération
La machine est trop chaude	La surcharge d'électromoteur	Suivre les demandes du livret
	Le vent des gorges anormaux	Draguer le vent des gorges et la buse
La vibration du mandrin de foret de la machine	La grande vibration du mandrin de foret	Demander aux professionnels de remplacer un bon mandrin de foret

Contenido

DATOS TÉCNICOS.....	13
APLICACIÓN.....	14
ADVERTENCIA.....	14
INSTRUCCIONES GENERALES DE SEGURIDAD.....	14
INSTRUCCIONES DE SEGURIDAD PARA TALADROS.....	16
SÍMBOLOS.....	16
INSTRUCCIÓN DE OPERACIÓN.....	17
LIMPIEZA Y MANTENIMIENTO.....	17
AMBIENTE.....	17
SOLUCIONES DE AVERÍAS.....	18

DATOS TÉCNICOS

Modelo	MPED321V	MPED321VF	MPED600/10V
Código de artículo	111-0206	111-0207	111-0208
Voltage	220-240V~ 50/60Hz	220-240V~ 50/60Hz	220-240V~ 50/60Hz
Potencia	320W	320W	600W
Velocidad sin carga	0-4200/min	0-4200/min	0-1700/min
Tamaño de mandril	0.6-6.5mm	0.6-6.5mm	10mm
Cable	PVC	PVC	PVC
Longitud del cable	2M	2M	2M
Peso según EPTA-Procedure 01/2003	1.0KG	1.0KG	1.0KG

Información sobre ruidos y vibraciones

Nivel de presión acústica LpA	78dB(A)	78dB(A)	78dB(A)
Nivel de potencia acústica LWA	89dB(A)	89dB(A)	89dB(A)
Incertidumbre	3 dB(A)	3 dB(A)	3 dB(A)
Valor de vibraciones generadas	2.2m/s ²	2.2m/s ²	2.2m/s ²
Incertidumbre	1.5 m/s ²	1.5 m/s ²	1.5 m/s ²

El nivel de vibraciones indicado en estas instrucciones ha sido determinado según el procedimiento de medición fijado en la norma EN 60745 y puede servir como base de comparación con otras herramientas eléctricas. También es adecuado para estimar provisionalmente la sollicitación experimentada por las vibraciones.

El nivel de vibraciones indicado ha sido determinado para las aplicaciones principales de la herramienta eléctrica. Por ello, el nivel de vibraciones puede ser diferente si la herramienta eléctrica se utiliza para otras aplicaciones, con útiles diferentes, o si el mantenimiento de la misma fuese deficiente. Ello puede suponer un aumento drástico de la sollicitación por vibraciones durante el tiempo total de trabajo. Para determinar con exactitud la sollicitación experimentada por las vibraciones, es necesario considerar

también aquellos tiempos en los que el aparato esté desconectado, o bien, esté en funcionamiento, pero sin ser utilizado realmente. Ello puede suponer una disminución drástica de la sollicitación por vibraciones durante el tiempo total de trabajo.

Fije unas medidas de seguridad adicionales para proteger al usuario de los efectos por vibraciones, como por ejemplo: Mantenimiento de la herramienta eléctrica y de los útiles, conservar calientes las manos, organización de las secuencias de trabajo.

APLICACIÓN

Esta herramienta ha sido proyectada para taladrar en madera, metal, cerámica y materiales sintéticos así como para atornillar

MAXPRO® se dedica a la mejora y perfeccionamiento de los productos existentes continuamente. Por lo tanto, el concepto de rendimiento y diseño técnico de los productos pueden variarse sin el previo aviso. Disculpa por cualquier posible inconveniente.

Por favor lea y siga las instrucciones de funcionamiento y las informaciones de seguridad antes de utilizarlo por la primera vez. Y Mantenga el manual bien.

ADVERTENCIA

Por favor quite el enchufe de la tomacorriente antes de realizar cualquiera configuración, reparación o mantenimiento.

Por favor lea todas las advertencias e instrucciones relacionadas a la seguridad. La falla de seguir las advertencias e instrucciones puede resultarse en los choques eléctricos, los incendios y/o las lesiones graves.

Asegúrese de que el voltaje se corresponde a la etiqueta del tipo de la unidad. **¡Los materiales del embalaje no son juguetes! ¡Los niños no deben jugar con las bolsas plásticas! ¡Peligro de la sofocación!**

La salida del ruido de la herramienta de potencia puede exceder a 85dB(A) en el lugar de trabajo. En este caso, por favor ponga con la protección de los oídos.

INSTRUCCIONES GENERALES DE SEGURIDAD

ATENCIÓN! Lea íntegramente estas advertencias de peligro e instrucciones. En caso de no atenerse a las advertencias de peligro e instrucciones siguientes, ello puede ocasionar una descarga eléctrica, un incendio y/o lesión grave. **Guardar todas las advertencias de peligro e instrucciones para futuras consultas.** El término “herramienta eléctrica” empleado en las siguientes advertencias de peligro se refiere a herramientas eléctricas de conexión a la red (con cable de red) y a herramientas eléctricas accionadas por acumulador (o sea, sin cable de red).

1) SEGURIDAD DEL PUESTO DE TRABAJO

a) Mantenga limpia y bien iluminada su área de trabajo. El desorden o una iluminación deficiente en las áreas de trabajo pueden provocar accidentes.

b) No utilice la herramienta eléctrica en un entorno con peligro de explosión, en el que se encuentren combustibles líquidos, gases o material en polvo. Las herramientas eléctricas producen chispas que pueden llegar a inflamar los materiales en polvo o vapores.

c) Mantenga alejados a los niños y otras personas de su área de trabajo al emplear la herramienta eléctrica. Una distracción le puede hacer perder el control sobre la herramienta.

2) SEGURIDAD ELÉCTRICA

a) El enchufe de la herramienta debe corresponder a la toma de corriente utilizada. No es admisible modificar el enchufe en forma alguna. No emplear adaptadores en herramientas dotadas con una toma de tierra. Los enchufes sin modificar adecuados a las respectivas tomas de corriente reducen el riesgo de una descarga eléctrica.

b) Evite que su cuerpo toque partes conectadas a tierra como tuberías, radiadores, cocinas y refrigeradores. El riesgo a quedar expuesto a una descarga eléctrica es mayor si su cuerpo tiene contacto con tomas de tierra.

c) No exponga las herramientas eléctricas a la lluvia o a condiciones de humedad. Existe el peligro de recibir una descarga eléctrica si penetran líquidos en la herramienta.

d) No utilice el cable de red para transportar o colgar la herramienta, ni tire de él para sacar el enchufe de la toma de corriente. Mantenga el cable de red alejado del calor, aceite, esquinas cortantes o piezas móviles. Los cables de red dañados o enredados pueden provocar una descarga eléctrica.

e) Al trabajar con la herramienta eléctrica en interiores utilice solamente cables de prolongación homologados para su uso en exteriores. La utilización de un cable de prolongación adecuado para su uso en exteriores reduce el riesgo de una descarga eléctrica.

f) Si el funcionamiento de una herramienta eléctrica en un lugar húmedo fuese inevitable, utilice un cortacircuito de fuga a tierra. El uso de un cortacircuito de fuga a tierra reduce el riesgo de descarga eléctrica.

3) SEGURIDAD DE PERSONAS

a) Esté atento y emplee la herramienta con prudencia. No utilice la herramienta eléctrica si estuviese cansado, ni bajo los efectos de alcohol, drogas o medicamentos. El no estar atento durante el uso de una herramienta eléctrica puede provocarle serias lesiones.

b) Utilice un equipo de protección personal y en todo caso unas gafas de protección. El riesgo a lesionarse se reduce considerablemente si, dependiendo del tipo y la aplicación de la herramienta eléctrica empleada, se utiliza un equipo de protección adecuado como una mascarilla antipolvo, zapatos de seguridad con suela antideslizante, casco, o protectores auditivos.

c) Evite una puesta en marcha fortuita. Asegurarse de que la herramienta eléctrica esté desconectada antes de conectarla a la toma de corriente y/o al montar el acumulador, al recogerla, y al transportarla. Si transporta la herramienta eléctrica sujetándola por el interruptor de conexión/desconexión, o si introduce el enchufe en la toma de corriente con la herramienta eléctrica conectada, ello puede dar lugar a un accidente.

d) Retire las herramientas de ajuste o llaves fijas antes de conectar la herramienta eléctrica. Una herramienta o llave colocada en una pieza rotativa puede producir lesiones graves al accionar la herramienta eléctrica.

e) Sea precavido. Trabaje sobre una base firme y mantenga el equilibrio en todo momento. Ello le permitirá controlar mejor la herramienta eléctrica en caso de presentarse una situación inesperada.

f) Lleve puesta una vestimenta de trabajo adecuada. No utilice vestimenta amplia ni joyas. Mantenga su pelo, vestimenta y guantes alejados de las piezas móviles. La vestimenta suelta, las joyas y el pelo largo se pueden enganchar con las piezas en movimiento.

g) Siempre que sea posible utilizar equipos de aspiración o captación de polvo, asegúrese que éstos estén montados y que sean utilizados correctamente. El empleo de estos equipos reduce los riesgos derivados del polvo.

4) CUIDADO Y UTILIZACIÓN DE HERRAMIENTAS ELÉCTRICAS

a) No sobrecargue la herramienta. Use la herramienta prevista para el trabajo a realizar. Con la herramienta adecuada podrá trabajar mejor y con mayor seguridad dentro del margen de potencia indicado.

b) No utilice herramientas con un interruptor defectuoso. Las herramientas que no se puedan conectar o desconectar son peligrosas y deben repararse.

c) Saque el enchufe de la red y/o desmonte el acumulador antes de realizar un ajuste en la herramienta eléctrica, cambiar de accesorio o al guardar la herramienta eléctrica. Esta medida preventiva reduce el riesgo de conectar accidentalmente la herramienta.

d) Guarde las herramientas fuera del alcance de los niños y de las personas que no estén familiarizadas con su uso. Las herramientas utilizadas por personas inexpertas son peligrosas.

e) Cuide sus herramientas con esmero. Controle si funcionan correctamente, sin atascarse, las partes móviles de la herramienta, y si existen partes rotas o deterioradas que pudieran afectar al funcionamiento de la herramienta. Si la herramienta eléctrica estuviese defectuosa haga repararla antes de volver a utilizarla. Muchos de los accidentes se deben a herramientas con un mantenimiento deficiente.

f) Mantenga los útiles limpios y afilados. Los útiles mantenidos correctamente se dejan guiar y controlar mejor.

g) Utilice herramientas eléctricas, accesorios, útiles, etc. de acuerdo con estas instrucciones, teniendo en cuenta las condiciones de trabajo y la tarea a realizar. El uso de herramientas eléctricas para trabajos diferentes de aquellos para los que han sido concebidas puede resultar peligroso.

5) SERVICIO

a) Únicamente haga reparar su herramienta eléctrica por un profesional, empleando exclusivamente piezas





de repuesto originales. Solamente así semantiene la seguridad de la herramienta eléctrica.

INSTRUCCIONES DE SEGURIDAD PARA TALADROS

- Evite los daños que puedan causar los tornillos, clavos y otros objetos sobre la pieza de trabajo; retírelos antes de empezar a trabajar
- Compruebe siempre que la tensión de alimentación es la misma que la indicada en la placa de características de la herramienta (las herramientas de 230V o 240V pueden conectarse también a 220V)
- SKIL únicamente puede garantizar un funcionamiento correcto de la herramienta al emplear accesorios originales
- Utilice únicamente accesorios cuyo límite de revoluciones permitido sea como mínimo igual a las revoluciones en vacío máximas de la herramienta
- Esta herramienta no debe utilizarse por personas menores de 16 años
- Utilice cables de extensión seguros y completamente desenrollados con una capacidad de 16 amperios
- Mantenga siempre el cable lejos de las partes móviles de la herramienta
- Si llega a dañarse o cortarse el cable eléctrico durante el trabajo, no tocar el cable, sino extraer inmediatamente el enchufe de la red
- No utilizar la herramienta cuando el cable esté dañado; hágalo cambiar por una persona calificada
- Si la broca se bloquea inesperadamente (causando una brusca y peligrosa reacción), desconectar la herramienta inmediatamente
- En el caso de que se produjera un mal funcionamiento eléctrico o mecánico, apague inmediatamente la herramienta y desconecte el enchufe
- **Asegure la pieza de trabajo** (una pieza de trabajo fijada con unos dispositivos de sujeción o en un tornillo de banco, se mantiene sujeta de forma mucho más segura que con la mano)
- **Sujete la herramienta únicamente por las empuñaduras aisladas al realizar trabajos en los que el accesorio pueda tocar conductores eléctricos ocultos o el propio cable de la herramienta** (el contacto con conductores portadores de tensión puede hacer que las partes metálicas de la herramienta le provoquen una descarga eléctrica)
- **Utilice aparatos de detección adecuados para localizar posibles conductores o tuberías ocultas, o consulte a su compañía abastecedora** (el contacto con conductores eléctricos puede provocar una descarga eléctrica e incluso un incendio; al dañar una tubería de gas puede producirse una explosión; la perforación de una tubería de agua pueden causar daños materiales o una descarga eléctrica)
- **No trabaje materiales que contengan amianto** (el amianto es cancerígeno)
- El polvo del material, como por ejemplo la pintura que contiene plomo, algunas especies de madera, minerales y metal podrían ser dañinos (el contacto o inhalación del polvo podría producir reacciones alérgicas y/o trastornos respiratorios al operador u otras personas cerca); **utilice una máscara contra el polvo y trabaje con un dispositivo de extracción de polvo cuando lo conecte**
- Ciertos tipos de polvo están catalogados como cancerígenos (por ejemplo el polvo de roble y de haya) especialmente junto con aditivos para el acondicionamiento de la madera; **utilice una máscara contra el polvo y trabaje con un dispositivo de extracción de polvo cuando lo conecte**
- Siga la normativa nacional en cuanto a extracción de polvo, en función de los materiales que vayan a ser utilizados
- Ponga atención al guardar su herramienta de que el motor está apagado y las partes móviles están parados
- **Desenchufar siempre la herramienta antes de realizar cualquier ajuste o cambiar algún accesorio**

SIMBOLI

	Leer el manual		Ponerse protección de los oídos
	Advertencia		Ponerse máscara de polvos

	Aislamiento doble		No debe disponer los aparatos viejos en la basura doméstica
	Ponerse gafas de seguridad		Si prega di scollegare l'alimentazione prima della manutenzione

INSTRUCCIONES DE USO

- Conexión/desconexión 4 (Figura 1) (Figura 2)
- Control de velocidad para un arranque suave 5
- Presione las perillas izquierda y derecha para ajustar la dirección de rotación izquierda y derecha de la máquina
- si el inversor de giro no está adecuadamente colocado en la posición izquierda/derecha, el interruptor A 2 no podrá ser activado
- ! sólo invierta la dirección de giro cuando la herramienta esté completamente parada
- Cambio de brocas 7 (Figura 3)
- introduzca la broca lo más profundo posible dentro del portabrocas
- ! no utilice brocas con un mango deteriorado
- Inserción de la broca (Figura 3)**
- Desenchufe el taladro, cerciéndose de que la broca esté en buen estado. Gire el mandril portabrocas (1) hasta que las mordazas se abren lo suficiente. Inserte la broca en las mordazas de sujeción del mandril (1), empuje la broca en el mandril lo más que se pueda, introduzca la llave del mandril (7) en uno de los tres orificios del mismo (1), y gire la llave en sentido horario para trabar la broca en su lugar (1). Importante: A continuación, retire la llave de mandril (7).

MANTENIMIENTO Y LIMPIEZA

1. AÑADIR ACEITE DE LUBRICACIÓN DE VEZ EN CUANTO. El taladro es una herramienta que trabaja por velocidad. El aceite de lubricación se ensucia fácilmente, por lo tanto se debe mantenerlo limpio y añadir/cambiar el aceite de lubricación en cuanto sea necesario.
2. REVISAR EL APARATO PERIODICAMENTE. La máquina debe ser revisada, controlada periódicamente para ver si el cable de alimentación, el enchufe y el interruptor están en buenas condiciones. Presta atención al revisar el aparato para controlar si la resistencia de aislamiento funciona correctamente, también revisar si el mango es flexible, el inversor y los cepillos están bien contactados, el bobinado del estator están en circuito abierto, y el cojinete, las otras partes en movimiento si están dañados, etc.
3. PARA CAMBIAR LAS PARTES DEL APARATO, USA SIEMPRE DE LOS MISMOS MODELOS cuando sea necesario de cambiar cualquier parte cambiante. Cuando sea necesario de desmontar y comprobar los componentes del aparato, compruebe todos los componentes si están dañados. Para cambiar alguna parte del aparato, asegúrese de no utilizar un material de sustitución que sea de menor calidad ni una pieza que no esté de acuerdo con la norma. Al instalar piezas nuevas, asegúrese de poner las piezas en su posición correcta y no debe omitir ninguna de ellas.
4. TENGA CUIDADO CON LA RESISTENCIA DE AISLAMIENTO. No se debe utilizar el aparato durante un tiempo muy prolongado, si se usa el aparato bajo una condición húmeda, hay que comprobar los valores de la resistencia de aislamiento con un medidor de 500 millones de ohmios. Si el bobinado y el centro de hierro está a menos de 2 millones de ohmios, se debe secar el tratamiento del bobinado hasta más de 2 millones de ohmios.
5. GUARDARLO CUIDADOSAMENTE. Se debe mantener el aparato en un lugar limpio y seco sin gases corrosivos.

AMBIENTE

No deseche las herramientas eléctricas, los accesorios y embalajes junto con los residuos domésticos
- de conformidad con la Directiva Europea 2002/96/CE sobre residuos de aparatos eléctricos y electrónicos y su aplicación de acuerdo con la legislación nacional, las herramientas eléctricas cuya vida útil haya llegado a su fin se deberán recoger por separado y trasladar a una planta de reciclaje que cumpla con las exigencias ecológicas.

SOLUCIÓN DE PROBLEMAS

Problemas y fallos	Posibles causas	Solución de problemas
La máquina está encendida pero no trabaja	Cortocircuito en el bobinado del motor	Cambiar el estator y el rotor por un profesional
	El enchufe no está enchufado en la toma de corriente	Enchufar el enchufe en una toma de corriente
	No hay tensión en la toma de corriente	Comprobar y reparar la fuente de alimentación
	El interruptor tiene mal contacto	Comprobar y cambiar el interruptor por un profesional
	Las escobillas de carbón tienen mal contacto con el conmutador	Comprobar el estado de contacto de las escobillas de carbón y el conmutador por un profesional
La máquina sale muchas chispas	La presión del resorte de las escobillas de carbón no es suficiente	Cambiar las escobillas de carbón por un profesional
	Las escobillas de carbón están demasiadas cortas por desgaste	Cambiar las escobillas de carbón por un profesional
	Cortocircuito en el bobinado del rotor y forma un anillo de fuego	Comprobar y cambiar el rotor por un profesional
	El cortocircuito en segmentos del conmutador y forma un anillo de fuego	Comprobar y cambiar el rotor por un profesional
La velocidad de funcionamiento se disminuye	La tensión de la fuente de alimentación es baja	Ajustar la tensión de la fuente de alimentación
	Las piezas mecánicas están dañadas	Cambiar las piezas mecánicas por un profesional
	Cortocircuito en parte del rotor	Comprobar y reparar, o cambiar el rotor por un profesional
	El taladro está atascado al perforar una pieza metálica	Dejar de operar el aparato
La máquina se calienta demasiado	Sobrecarga del motor	Operar la máquina correctamente conforme con el manual de instrucciones
	Algo atascado en la salida de aire	Limpiar el conducto y la salida de aire
El portabrocas de la máquina se balancea	El portabrocas balancea fuertemente	Cambiar el portabrocas por otro bueno por un profesional

Содержание

ТЕХНИЧЕСКИЕ ХАРАКТЕРИСТИКИ.....	19
СЕРТИФИКАЦИЯ.....	19
ОБЩИЕ УКАЗАНИЯ.....	20
НАЗНАЧЕНИЕ.....	20
КОМПЛЕКТ ПОСТАВКИ.....	21
КОНСТРУКТИВНЫЕ ОСОБЕННОСТИ.....	21
МЕРЫ БЕЗОПАСНОСТИ.....	21
ПОДГОТОВКА К РАБОТЕ.....	23
РЕКОМЕНДАЦИИ ПО РАБОТЕ.....	24
ОБСЛУЖИВАНИЕ.....	25
ХРАНЕНИЕ.....	25
ТРАНСПОРТИРОВАНИЕ.....	25
ЗАЩИТА ОКРУЖАЮЩЕЙ СРЕДЫ И УТИЛИЗАЦИЯ.....	25

ТЕХНИЧЕСКИЕ ХАРАКТЕРИСТИКИ

Модель	MPED321V	MPED321VF	MPED600/10V
Артикул	111-0206	85049 (111-0207)	111-0208
Напряжение питания	220-240 В, 50 Гц	220-240 В, 50 Гц	220-240 В, 50 Гц
Максимальная потребляемая мощность	320 Вт	320 Вт	600 Вт
Максимальный потребляемый ток	1,6 А	1,6 А	1,6 А
Число оборотов шпинделя без нагрузки	0 - 4200 об/мин	0 - 4200 об/мин	0 - 1700 об/мин
Тип патрона	ключевой	безключевой	безключевой
Диаметр хвостовика, зажимаемый патроном	0,6-6,5 мм	0,6-6,5 мм	10 мм
Максимальный диаметр сверления:	древесина	15 мм	15 мм
	сталь	6,5 мм	6,5 мм
Уровень звукового давления по EN 60745	(78±3) дБ(А)	(78±3) дБ(А)	(78±3) дБ(А)
Уровень акустической мощности по EN 60745	(89±3) дБ(А)	(89±3) дБ(А)	(89±3) дБ(А)
Уровень вибрации по EN 50144	(2,2±1,5) м/сек ²	(2,2±1,5) м/сек ²	(2,2±1,5) м/сек ²
Длина кабеля электропитания	2,0 м	2,0 м	2,0 м
Вес по ЕРТА-Procedure 01/2003	1,0 кг	1,0 кг	1,0 кг

СЕРТИФИКАЦИЯ

Изделие соответствует требованиям технических регламентов Таможенного Союза: «О безопасности низковольтного оборудования (ТР ТС 004/2011), «Электромагнитная совместимость технических средств» (ТР ТС 020/2011), «О безопасности машин и оборудования» (ТР ТС 010/2011).

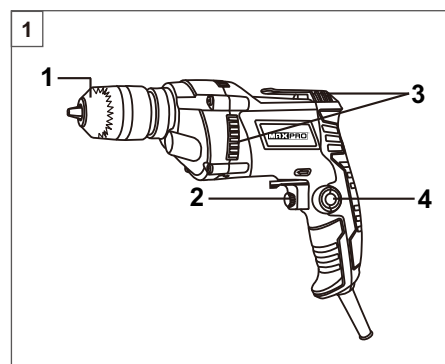
ОБЩИЕ УКАЗАНИЯ

При покупке изделия в розничной торговой сети требуйте проверки его работоспособности и комплектности, а также штампа торгующей организации и даты продажи в гарантийном талоне.

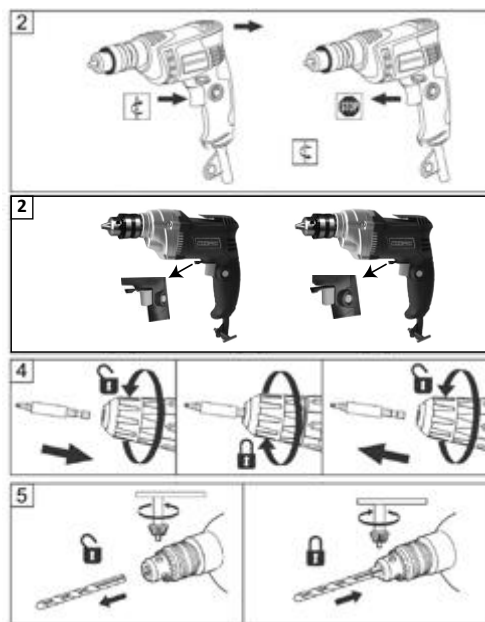
Чтобы избежать недоразумений внимательно ознакомьтесь с данной Инструкцией. Обращаем Ваше внимание на исключительно бытовое назначение данного изделия, т. е. оно не должно использоваться для профессиональных работ или в коммерческих целях.

На изделии размещены специальные пиктограммы, обращающие Ваше внимание на наиболее важные моменты.

	Внимательно прочитайте данную Инструкцию.		Всегда используйте надлежащие защитные средства.
	Изделие изготовлено по второму (II) классу защиты от поражения электрическим током.		Примите меры по экологически чистой утилизации пришедшей в негодность упаковки, изделия или аксессуаров.
	Будьте внимательны при всех видах работы.		



- 1 Патрон
- 2 Переключатель направления вращения (реверс)
- 3 Выключатель/регулятор оборотов
- 4 Ключ патрона
- 5 Электрический кабель
- 6 Фиксатор выключателя
- 7 Вентиляционные прорези



НАЗНАЧЕНИЕ

Машина ручная сверлильная электрическая модель MPED321V и MPED321VF (далее по тексту дрель, изделие или машина) предназначена для сверления отверстий в металлах, пластмассах или древесине.

Допускается кратковременно использовать машину для закручивания/выкручивания шурупов, саморезов, и винтов.

Дрель имеет

- 1 Небольшие габариты (205x170x60 мм) и вес (1,0 кг), позволяющие держать машину одной рукой и эксплуатировать ее в местах с ограниченным доступом.
- 2 Ключевой патрон, позволяющий устанавливать сменный инструмент с хвостовиком диаметром от 0,6 до 6,5 мм с помощью специального ключа (модель MPED321V).
- 3 Безключевой патрон, позволяющий переставлять сменный инструмент с хвостовиком диаметром от 0,6 до 6,5 мм без специального ключа (модель MPED321VF).
- 4 Электронный регулятор/выключатель, позволяющий плавно менять обороты и мощность двигателя в

зависимости от характера работы.

- 5 Фиксатор выключателя на максимальных оборотах, что удобно при длительной работе.
- 6 Переключатель направления вращения двигателя (реверс).
- 7 Двойную электрическую изоляцию активных частей электропривода (класс защиты от поражения электрическим током – II), что позволяет работать без применения индивидуальных средств защиты от поражения электрическим током и не требует заземления шурупверта.

КОМПЛЕКТ ПОСТАВКИ*

Инструкция по эксплуатации.
Дрель с патроном 1/4".
Ключ патрона** (модель MPED321V).
Коробка упаковочная **.

* Производитель имеет право на конструктивные изменения с целью улучшения качества и дизайна, а также на изменение комплектации изделия.

** Принадлежности являются расходным материалом и на них гарантийные обязательства не распространяются.

КОНСТРУКТИВНЫЕ ОСОБЕННОСТИ

Конструктивно дрель состоит из электрического двигателя, одноступенчатого редуктора и шпинделя с патроном. Все узлы размещены в несущем корпусе.

1 Коллекторный двигатель переменного тока мощностью 320 Вт оснащен выключателем 3 (см. рис. 1) с электронным регулятором оборотов, фиксатором выключателя 6 и переключателем направления вращения 2. Переключатель позволяет переключать половины обмотки статора к противоположным щеткам коллектора, что изменяет направление вращения ротора. Вал ротора двигателя опирается на два подшипника качения и имеет ведущую шестерню редуктора.

2 Одноступенчатый редуктор понижает обороты двигателя и обеспечивает необходимый крутящий момент вала шпинделя. Ведомая шестерня редуктора зафиксирована на шпинделе, передняя часть которого имеет резьбу 1/4" под патрон 1.

МЕРЫ БЕЗОПАСНОСТИ

Безопасная работа изделия возможна только после внимательного изучения потребителем настоящей Инструкции перед проведением работ и при условии соблюдения им изложенных в ней требований. Несоблюдение этих требований может стать причиной не только отказов или инцидентов, но и критических отказов или аварий. В следующих подразделах приведен перечень критических отказов и возможных ошибочных действий потребителя, которые приводят к инциденту или аварии. Там же описаны действия потребителя в этих случаях

Запрещается эксплуатация изделия

- 1 Во взрывоопасных помещениях или помещениях с химически активной средой.
- 2 В условиях воздействия капель и брызг, а также на открытых площадках при атмосферных осадках.
- 3 При несоответствии характеристик электрической сети в месте подключения значениям, указанным в разделе **ТЕХНИЧЕСКИЕ ХАРАКТЕРИСТИКИ**.
- 4 При неисправной электропроводке или электрической розетке, а так же если их токовые параметры ниже требуемых со стороны изделия (см. раздел **ТЕХНИЧЕСКИЕ ХАРАКТЕРИСТИКИ**).
- 5 При обнаружении перед работой или возникновении во время работы хотя бы одной из следующих неисправностей.
 - 5.1 Повреждение электрического кабеля или штепсельной вилки.
 - 5.2 Искрение щеток на коллекторе, сопровождающееся появлением кругового огня на его поверхности.
 - 5.3 Появление дыма или запаха, характерного для горячей изоляции.
 - 5.4 Неисправность или нечеткая работа выключателя.
 - 5.5 Вытекание смазки из вентиляционных прорезей корпуса.
 - 5.6 Появление нехарактерных звуков (стука).
 - 5.7 Поломки или трещины в патроне и деталях корпуса изделия.
 - 5.8 Неисправность сменного инструмента (сверел и бит). Неисправный сменный инструмент - это сломанные, тупые, имеющие трещины, или искривленные (приводящие к биению) и неподходящие по диаметру хвостовика сверла (см. раздел **ТЕХНИЧЕСКИЕ ХАРАКТЕРИСТИКИ**). К неисправным относятся биты с выбоинами и сколами, либо неподходящие к форме шлица саморезов и винтов.

Запрещается при эксплуатации изделия

- 1 Заземлять изделие.
- 2 Оставлять без надзора машину, подключенную к электросети.
- 3 Работать с приставных лестниц.
- 4 Передавать дрель лицам, не имеющим права пользоваться ею.

- 5 Натягивать и переключивать электрический кабель, подвергать его нагрузкам.
- 6 Превышать предельно допустимую продолжительность работы (см. раздел **РЕКОМЕНДАЦИИ ПО РАБОТЕ**).
- 7 Передавать дрель для эксплуатации лицам моложе 18 лет, либо лицам, не имеющим навыков работы с данной машиной, которые не прошли инструктаж по правилам безопасности и не прочитали данную Инструкцию.

Общие правила безопасности при эксплуатации изделия

- 1 Учитывайте влияние окружающей среды.
 - 1.1 Не подвергайте изделие воздействию атмосферных осадков.
 - 1.2 Не пользуйтесь машиной поблизости от легковоспламеняющихся жидкостей и газов.
 - 1.3 Не пользуйтесь изделием для обработки сырых материалов.
 - 1.4 Позаботьтесь о хорошем освещении.
- 2 Избегайте физического контакта с заземленными объектами (металлическими трубами, батареями и т.д.).
- 3 Перед началом работы проверяйте рабочую зону на наличие скрытых коммуникаций (газопровода, водопровода, электрической или телефонной проводки и т.д.).
 - 4 Не позволяйте посторонним людям и животным приближаться к месту работы.
 - 5 При работах связанных с образованием пыли пользуйтесь пылеуловителями, особенно в закрытых помещениях.
 - 6 При работе в помещениях с повышенной концентрацией пыли или мелких опилок для предотвращения электрического пробоя необходимо использовать устройства токовой защиты.
 - 7 Не подвергайте изделие перегрузкам.
 - 7.1 Используйте его строго по назначению.
 - 7.2 Используйте только рекомендованный, соответствующий проводимой работе и исправный сменный инструмент.
 - 7.3 Исключите при работе падение оборотов или остановку двигателя вследствие чрезмерной подачи или заклинивания сменного инструмента. **При заклинивании немедленно выключите изделие!**
 - 8 Правильно обращайтесь с электрическим кабелем изделия.
 - 8.1 Не носите дрель, держа за кабель.
 - 8.2 Для отключения изделия от сети беритесь за штепсельную вилку, а не за кабель.
 - 8.3 Кабель должен быть защищен от случайного повреждения (острыми гранями, движущимся рабочим инструментом и т.д.).
 - 8.4 Не допускайте непосредственного соприкосновения кабеля с горячими и масляными поверхностями.
 - 8.5 Если произошёл инцидент и кабель поврежден в процессе работы, то, не касаясь его, выньте вилку из розетки и замените электрический кабель в Сервисном центре.
 - 9 Избегайте непреднамеренного включения.
 - 9.1 Перед подключением вилки электрического кабеля машины к сетевой розетке, проверьте правильность и надежность соединений всех узлов изделия и убедитесь, что выключатель находится в выключенном положении.
 - 9.2 Отключайте изделие выключателем при внезапной остановке (вследствие исчезновения напряжения в сети, заклинивания движущихся деталей и т.п.).
 - 9.3 Не переносите подключаемое к сети изделие, держа палец на выключателе.
 - 10 Пользуйтесь, в случае необходимости, электрическими сетевыми удлинителями промышленного производства, рассчитанными на ток, потребляемый Вашим изделием (см. раздел **ТЕХНИЧЕСКИЕ ХАРАКТЕРИСТИКИ**).
 - 11 Носите подходящую одежду и используйте защитные средства (защитные очки, пылезащитная маска, наушники и т. д.). При работе пользуйтесь средствами защиты органов слуха. Воздействие шума может привести к потере слуха.
 - 12 Надежно закрепляйте обрабатываемую деталь.
 - 12.1 При необходимости пользуйтесь тисками или струбиной.
 - 12.2 Запрещается зажимать в тиски само изделие.
 - 13 Содержите в порядке рабочее место. Прежде чем включить изделие, проверьте, не забыли ли Вы убрать из зоны работы ключи, отвертки и другой вспомогательный инструмент.
 - 14 Всегда будьте внимательны.
 - 14.1 При всех видах работы обязательно держите машину за ручку так, чтобы не закрывать вентиляционные прорези.
 - 14.2 Никогда не удерживайте обрабатываемую деталь ногой, рукой или на коленях. Закрепляйте ее на устойчивой подставке (верстаке). Это является важным условием в минимизации опасности контакта со сменным инструментом, его заклинивания или потери контроля над дрелью.
 - 14.3 Не отвлекайтесь во время работы, выполняйте ее вдумчиво.
 - 14.4 Старайтесь работать в устойчивом положении, постоянно сохраняя равновесие, причем инструмент и обрабатываемая поверхность должны находиться в поле Вашего зрения.
 - 14.5 Поднесите изделие к материалу, с которым будете работать, только после включения и набора оборотов двигателем.
 - 14.6 Осторожно подводите и отводите инструмент к уже начатому отверстию, не допуская его заклинивания или падения оборотов двигателя из-за чрезмерной подачи.
 - 14.7 По окончании работ, во время перерыва или перед заменой сменного инструмента после выключения машины не кладите ее на какую-либо поверхность, прежде чем патрон полностью не остановится, т.к. он может зацепиться за поверхность, что приведет к потере контроля над изделием и серьезным травмам. Затем обяза-

тельно отключите дрель от электросети. Замену сменного инструмента производите только после его остывания до приемлемой температуры.

- 14.8 Не допускайте механических повреждений, ударов, падения изделия на твердые поверхности и т.п.
- 14.9 Оберегайте дрель от воздействия интенсивных источников тепла или химически активных веществ, а также от попадания жидкостей и посторонних твердых предметов внутрь изделия.
- 14.10 Не рекомендуется работать с изделием, если Вы сильно утомлены, находитесь в состоянии алкогольного опьянения или принимаете сильнодействующие медикаменты.

ПОДГОТОВКА К РАБОТЕ

Внимание!

- 1 Используйте изделие и аксессуары в соответствии с настоящей Инструкцией и в целях, для которых они предназначены.
- 2 Использование изделия для других операций и в иных целях, чрезмерная перегрузка или непрерывная работа свыше 20 минут может привести к его выходу из строя.
- 3 Ознакомьтесь с предыдущими разделами и выполняйте изложенные в них требования.

Переключение направления вращения

Режим реверса можно использовать для вывода заклинившего сверла из отверстия и выкручивания шурупов, саморезов и т. д. Режим не рекомендуется использовать на максимальных оборотах двигателя и при этом возможно увеличение искрения щеток.

- 1 **Внимание!** Переключение в режим реверса и обратно допускается производить **только после выключения дрели и полной остановки ее двигателя.**
- 2 Если утопить кнопку **2** (см. рис. 1 и правый рис. 3) переключателя направления вращения (реверс) со стороны значка “стрелка вперед” на клавише, то после нажатия и удерживания клавиши включения **3**, шпиндель начнет вращаться по часовой стрелке.
- 3 Если утопить кнопку **2** со стороны значка “стрелка назад” на клавише (см. левый рис. 3), то после нажатия и удерживания клавиши включения, шпиндель начнет вращаться против часовой стрелки.
- 4 Если кнопку переключения направления вращения **2** установить в среднее положение (см. средний рис. 3), то она блокирует клавишу **3** и включить дрель невозможно. **Внимание!** При перерывах в работе, после выключения машины рекомендуется устанавливать переключатель реверса в среднее положение.

Замена сменного инструмента в машине с безключевым патроном

Дрель MPED321VF (артикул 85049) укомплектована безключевым патроном, позволяющим переставлять сменный инструмент без специального ключа.

Установка

- 1 **Внимание!** Убедитесь, что вилка электрического кабеля машины отключена от электрической розетки.
- 2 Установите кнопку переключения направления вращения **2** (см. рис. 1 и средний рис. 3) в среднее положение для блокировки клавиши включения (включение двигателя невозможно).
- 3 Удерживая заднюю часть патрона **1** (см. рис. 1 и левый рис. 4), вращайте переднюю против часовой стрелки, пока губки патрона не разойдутся достаточно.
- 4 Вставьте хвостовик сменного инструмента в патрон (см. средний рис.4) и, удерживая заднюю часть патрона, вращайте его переднюю часть по часовой стрелке для фиксации хвостовика.
- 5 Окончательно зажмите инструмент, вращая переднюю и заднюю части патрона навстречу друг другу.

Извлечение

- 1 **Внимание!** Убедитесь, что вилка электрического кабеля машины отключена от электрической розетки.
- 2 Установите переключатель реверса **2** (см. рис. 1 и средний рис. 3) в среднее положение.
- 3 Удерживая заднюю часть патрона **1** (см. рис. 1 и правый рис. 4), вращайте переднюю против часовой стрелки, пока губки патрона не разойдутся достаточно.
- 4 Извлеките сменный инструмент.

Замена сменного инструмента в машине с ключевым патроном

Дрель MPED321V укомплектована ключевым патроном, позволяющим переставлять сменный инструмент с помощью специального ключа, который закреплен на кабеле электропитания.

- 1 **Внимание!** Убедитесь, что вилка электрического кабеля машины отключена от электрической розетки.
- 2 Установите кнопку переключения направления вращения **2** (см. рис. 1 и средний рис. 3) в среднее положение для блокировки клавиши включения (включение двигателя невозможно).
- 3 Вставьте ключ патрона **4** в одно из отверстий в патроне **1**. При вращении ключа против часовой стрелки, кулачки патрона расходятся и освобождают хвостовик установленного сменного инструмента (см. левый рис. 5). При вращении ключа по часовой стрелке, кулачки патрона сходятся, зажимая, тем самым, хвостовик сменного инструмента (см. правый рис. 5).

Включение/Выключение

Включение

- 1 **Внимание!** Убедитесь, что вилка электрического кабеля отключена от электрической розетки.
- 2 Проверьте надежность и правильность установки сменного инструмента (см. подразделы **Замена сменного инструмента**).

- 3 Утопите переключатель реверса **2** (см. рис. 1 и рис. 3) справа или слева, в зависимости от нужного направления вращения (соответственно, по часовой стрелке или против часовой стрелки).
- 4 Проверьте, что машина выключена. Для этого нажмите до упора и отпустите клавишу **3** (см. рис. 1) выключателя.
- 5 Подключите вилку электрического кабеля к электрической сети.
- 6 Нажмите, плавно увеличивая усилие, клавишу выключателя **3** (см. рис. 1 и левый рис. 2). Дрель включится, причём обороты двигателя будут тем больше, чем больше утоплена клавиша.
- 7 Для продолжительной работы с максимальными оборотами двигателя можно зафиксировать включение, для чего после набора оборотов (клавиша нажата до упора) необходимо утопить и удерживать кнопку фиксатора **6**. Теперь клавишу выключателя, а затем и кнопку фиксатора, можно отпустить.

Внимание! Если в процессе работы может появиться необходимость в быстром выключении дрели (например, высока вероятность заклинивания сверла), то пользоваться фиксатором выключателя не рекомендуется.

Выключение

Просто отпустите клавишу выключателя **3** (см. правый рис. 2) или нажмите и отпустите ее, если предварительно была нажата кнопка фиксатора **6**. При этом кнопка и клавиша сами вернутся в исходное (выключенное) положение.

Первое включение

- 1 Распакуйте изделие и произведите осмотр комплекта поставки на предмет отсутствия внешних механических повреждений.
 - 2 **Внимание!** Если при транспортировке температура окружающей среды была ниже +10°C, перед дальнейшими операциями необходимо выдержать изделие в помещении с температурой от +10 до +35°C и относительной влажностью не выше 75% не менее четырех часов. В случае образования конденсата на узлах и деталях изделия, его эксплуатация или дальнейшая подготовка к работе **запрещена** вплоть до полного высыхания конденсата.
 - 3 Установите, если необходимо, и надежно закрепите нужный сменный инструмент (см. подразделы **Замена сменного инструмента**). При предпродажной проверке выполнение данного пункта обязательно.
 - 4 Утопите переключатель реверса справа для вращения шпинделя по часовой стрелке.
 - 5 Убедитесь, что изделие выключено. Для этого нажмите до упора и отпустите клавишу выключателя. Подключите кабель электропитания к электрической сети.
 - 6 Возьмите дрель за ручку патрона от себя и расположитесь так, чтобы он был расположен не ближе 30 сантиметров до ближайших предметов.
 - 7 Включите дрель (см. подраздел **Включение/Выключение**) и дайте ей поработать без нагрузки около трех минут.
- Внимание!** Некоторое время возможно повышенное искрение щеток, т. к. происходит их притирание к коллектору, а из вентиляционных прорезей корпуса могут вылетать мелкие фрагменты смазки.
- 8 Проверьте функционирование выключателя, фиксатора, переключателя реверса и патрона.
 - 9 Если проверки прошли успешно – можете приступать к работе. В противном случае обратитесь за консультацией в торгующую организацию или Сервисный центр.

РЕКОМЕНДАЦИИ ПО РАБОТЕ

- 1 Внимательно ознакомьтесь с предыдущими разделами и выполняйте изложенные в них требования.
- 2 Перед началом работы проверьте функционирование изделия.
- 2.1 Убедитесь, что вилка электрического кабеля отключена от электрической розетки.
- 2.2 Произведите осмотр изделия на предмет отсутствия внешних механических повреждений.
- 2.3 Установите, если необходимо, требующийся инструмент. Проверьте, что он надежно и правильно закреплен.
- 2.4 Утопите переключатель реверса справа или слева, в зависимости от нужного направления вращения шпинделя.
- 2.5 Убедитесь, что изделие выключено. Для этого нажмите до упора и отпустите клавишу выключателя. Подключите кабель электропитания к электрической сети.
- 2.6 Включите дрель и проверьте ее работу в течение десяти секунд без нагрузки.
- 3 **Помните!**
- 3.1 Изделие рассчитано на эксплуатацию при температуре окружающей среды от +5 до +35°C.
- 3.2 Патрон дрели рассчитан только на установку сверел, имеющих цилиндрический хвостовик с диаметром, указанным в разделе **ТЕХНИЧЕСКИЕ ХАРАКТЕРИСТИКИ**, или бит с шестигранным стандартным хвостовиком 6,35 мм.
- 3.3 Основной режим работы дрели – **сверление отверстий**, которое должно производиться на максимальных оборотах двигателя.
- 3.4 Не допускайте заклинивания сменного инструмента. **Внимание!** При заклинивании **немедленно** выключите изделие!
- 3.5 Продолжительность непрерывной работы машины не должна превышать 20 минут с последующим перерывом не менее десяти минут.
- 3.6 Использование дрели для закручивания/откручивания шурупов является дополнительной функцией, поэтому продолжительность непрерывной работы изделия в этом режиме не должна превышать двух минут с последующим перерывом не менее десяти минут.
- 3.7 Суммарная продолжительность работы изделия составляет 60 часов в год, после чего требуется провести послегарантийный профилактический осмотр, замену щеток и смазки в Сервисном центре.

- 4 Не прикладывайте к дрели во время работы большого усилия, т. к. при этом обороты двигателя и, следовательно, производительность падают, а также появляется угроза вывести из строя двигатель. Осевое усилие на инструмент не должно превышать 3 кг.
- 5 **Запрещается** прикладывать к машине радиальные (боковые) усилия.
- 6 Не допускайте попадания пыли в вентиляционные прорези изделия, что приводит к его перегреву. Следите за температурой корпуса машины в районе редуктора и двигателя, которая не должна превышать 50°C. При перегреве дайте поработать дрели на холостых оборотах 30 – 60 секунд и выключите ее для остывания и удаления пыли (см. также раздел **ОБСЛУЖИВАНИЕ**). **Внимание!** Наличие пыли в вентиляционных прорезях и внутри изделия является нарушением правил эксплуатации и основанием для снятия его с гарантийного обслуживания.
- 7 При сверлении металла используйте только хорошо заточенные сверла класса HSS из высокопроизводительной быстрорежущей стали с диаметром не более 6,5 мм. Для сверления стали, в качестве смазки, используйте машинное масло; для алюминия – скипидар или парафин; для бронзы, меди, чугуна смазка не нужна, но необходимо чаще вынимать сверло для его охлаждения.
- 8 При сверлении глубоких отверстий регулярно вынимайте инструмент и очищайте их от пыли или стружки.
- 9 Биты могут устанавливаться либо непосредственно в патрон, либо с использованием переходника для бит. Следите, чтобы тип (PH, PZ и т.д.) и № биты соответствовал форме шлица шурупа.
- 10 Перед закручиванием шурупов просверлите начальное отверстие под винтовую нарезку и, если требуется, отверстие для не нарезанного участка шурупа.
- 11 Закручивание шурупов производите на минимальных оборотах шпинделя с учетом всего изложенного в данном и предыдущем разделах. При выкручивании сильно затянутых шурупов, болтов и гаек рекомендуется 1 – 2 оборота сделать обычной мощной отверткой.
- 12 После выключения дрели, прежде чем положить ее на какую-нибудь поверхность, дождитесь полной остановки сменного инструмента.
- 13 Сразу по окончании работ произведите обслуживание машины (см. раздел **ОБСЛУЖИВАНИЕ**).
- 14 В случае выхода из строя машины или ее электрического кабеля осуществляйте ремонт только в уполномоченных на это Сервисных центрах.

ОБСЛУЖИВАНИЕ

- Внимание!** Перед проведением ниже описанных работ убедитесь, что изделие отключено от электропитания. Обслуживание включает в себя ежедневную очистку машины, но в первую очередь ее вентиляционных прорезей и патрона, от пыли и грязи.
- После работы в помещениях с повышенным содержанием пыли или мелких опилок и сразу после перегрева (см. раздел **РЕКОМЕНДАЦИИ ПО РАБОТЕ**, п. 6) необходимо продуть вентиляционные прорези, двигатель и патрон сжатым воздухом.
- Регулярно смазывайте губки патрона небольшим количеством индустриального масла.
- При попадании масла корпус изделия необходимо протереть ветошью, слегка смоченной уайт-спиритом. После этого его необходимо вытереть насухо.
- Через каждые 60 часов эксплуатации, но не реже одного раза в год, осуществляйте профилактический послегарантийный осмотр с заменой щеток и смазки изделия в уполномоченных на это Сервисных центрах

ХРАНЕНИЕ

- Хранить изделие следует после проведенного в полном объеме обслуживания в помещении с относительной влажностью не выше 75% при температуре не ниже +5°C.
- Максимальный срок хранения – 1 год, после чего необходимо провести профилактический послегарантийный осмотр изделия в уполномоченных на это Сервисных центрах.

ТРАНСПОРТИРОВАНИЕ

Транспортировка предварительно прошедшего обслуживание и размещенного в штатную упаковку изделия производится в закрытых транспортных средствах в соответствии с правилами перевозки грузов, действующих на транспорте данного вида.

ЗАЩИТА ОКРУЖАЮЩЕЙ СРЕДЫ И УТИЛИЗАЦИЯ

Когда изделие, дополнительные принадлежности и упаковка придут в негодность, примите меры по экологически чистой их утилизации в соответствии с законодательством РФ.

Не сжигать!