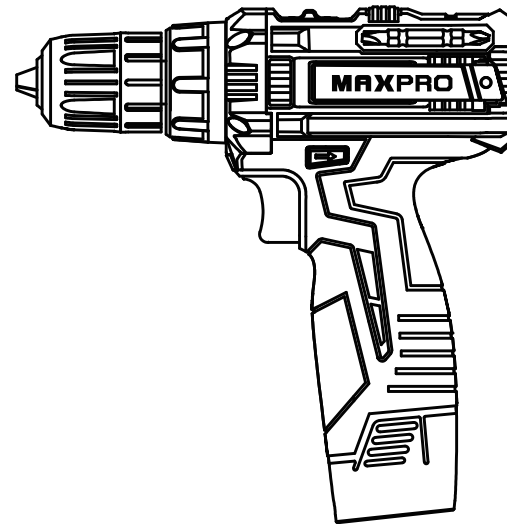


MAXPRO[®]

PROFESSIONAL

GB Cordless drill	1-8
FR Perceuse / visseuse sans fil	9-17
ES Taladro / atornillador a batería	18-26
RU Аккумуляторная дрель-шуруповерт	27-35



MPCD12Li/2V



DECLARATION OF CONFORMITY MPCD12Li/2V

GB CE DECLARATION OF CONFORMITY

We declare under our sole responsibility that this product is in conformity with the following standards and regulations.

FR DÉCLARATION DE CONFORMITE CE

Nous déclarons sous notre propre responsabilité que ce produit est en conformité avec les normes ou documents normalisés suivants:

ES DECLARACIÓN DE CONFORMIDAD CE

Declaramos bajo nuestra sola responsabilidad que este producto está en conformidad con las normas o documentos normalizados siguientes:

RU ДЕКЛАРАЦИЯ О СООТВЕТСТВИИ СТАНДАРТАМ CE

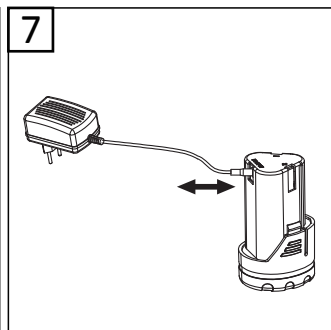
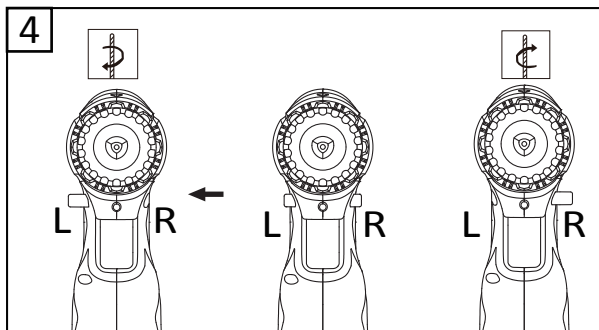
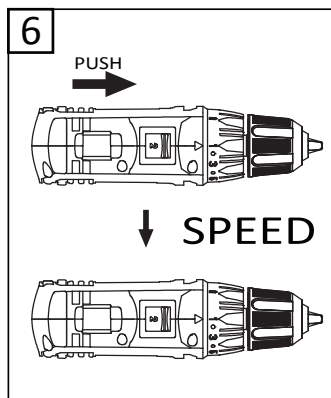
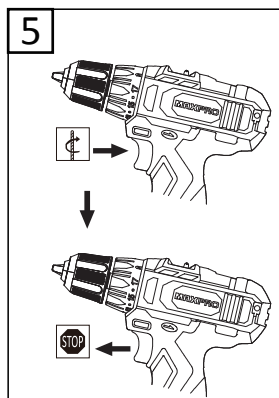
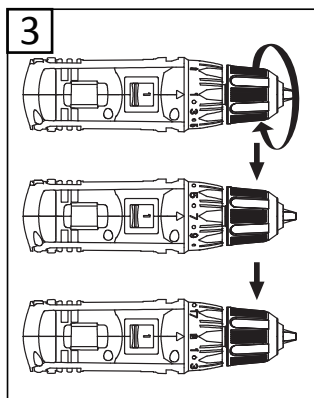
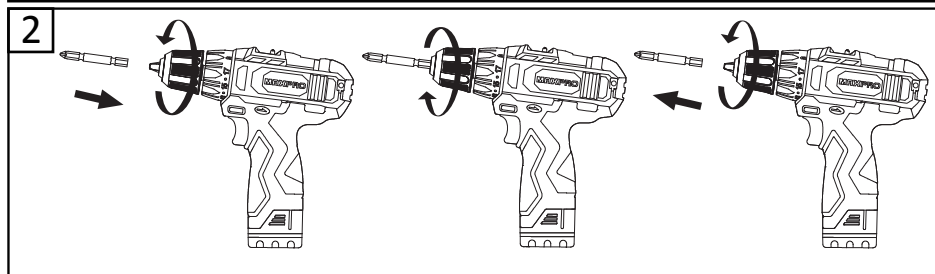
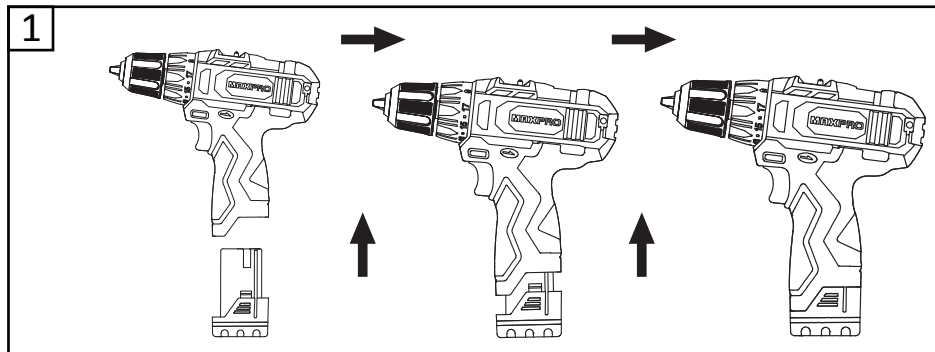
Мы с полной ответственностью заявляем, что это изделие соответствует следующим стандартам или стандартизованным документам:

EN60745-1, EN60745-2-1, EN60745-2-2, EN60335-1:2002+A11,
EN60335-2-29:2004, EN62233:2008,
2004/108/EC, 2006/42/EC, 2014/35/EU

Chief Executive Officer:

KREBS GmbH D-72124 PLIEZHAUSEN
05-12-2018

www.maxpro-tools.com
2021-05



Contents

TECHNICAL DATA.....	1
APPLICATION.....	2
WARNING.....	2
GENERAL SAFETY.....	2
SAFETY INSTRUCTION FOR ANGLE GRINDER.....	3
SYMBOLS.....	4
OPERATING INSTRUCTION.....	5
CLEANING AND MAINTENANCE.....	7
ENVIRONMENT.....	7
TROUBLE SHOOTING.....	7

TECHNICAL DATA

Model	MPCD12Li/2V
Article code	112-0023
Battery voltage	12V MAX
Motor Type	# 550
No-load speed	0-350/min 0-1350/min
Chuck capacity	0.8-10mm
Peak torque	25Nm
Clutch settings	18+1
Battery type	Li-ion
Battery capacity	1.5Ah
Charging time	1hour
Weight according to EPTA-Procedure 01/2003	1KG

Noise/Vibration Information

LpA sound pressure level	67.2dB(A)
LWA sound power level	78.2dB(A)
Uncertainty	3 dB(A)
Vibration emission value	1.0 m/s ²
Uncertainty	1.5 m/s ²

The vibration emission level given in this information sheet has been measured in accordance with a standardised test given in EN 60745 and may be used to compare one tool with another. It may be used for a preliminary assessment of exposure.

The declared vibration emission level represents the main applications of the tool. However if the tool is used for different applications, with different accessories or poorly maintained, the vibration emission may

differ. This may significantly increase the exposure level over the total working period.

An estimation of the level of exposure to vibration should also take into account the times when the tool is switched off or when it is running but not actually doing the job. This may significantly reduce the exposure level over the total working period.

Maintain the tool and the accessories, keep hands warm, organise work patterns.

APPLICATION

The machine is intended for driving in and loosening screws as well as for drilling in wood, metal and plastic.

MAXPRO are devoted to continuously improving and perfecting the existing products. Therefore, the technical performance and design concept of products may vary without any prior notice; our apology for any possible incurrance of inconvenience therefrom. Read and follow the operating instructions and safety information before using for the first time. Save this manual.

WARNING

Remove the plug from the socket before carrying out any adjustment, servicing or maintenance. Read all safety warnings and all instructions. Failure to follow the warnings and instructions may result in electric shock, fire and/or serious injury. Make sure the voltage corresponds to the type label on the unit. Packing materials are no toys! Children must not play with plastic bags! Danger of suffocation! The power tool noise output may exceed 85dB(A) at the workplace. In this instance, wear ear protection.

GENERAL SAFETY

Read all safety warnings and all instructions. Failure to follow the warnings and instructions may result in electric shock, fire and/or serious injury.

Save all warnings and instructions for future reference.

The term "power tool" in the warnings refers to your mains-operated (corded) power tool or battery-operated (cordless) power tool.

1) Work area safety

- a) **Keep work area clean and well lit.** Cluttered or dark areas invite accidents.
- b) **Do not operate power tools in explosive atmospheres, such as in the presence of flammable liquids, gases or dust.** Power tools create sparks which may ignite the dust or fumes.
- c) **Keep children and bystanders away while operating a power tool.** Distractions can cause you to lose control.

2) Electrical safety

- a) **Power tool plugs must match the outlet. Never modify the plug in any way. Do not use any adapter plugs with earthed (grounded) power tools.** Unmodified plugs and matching outlets will reduce risk of electric shock.
- b) **Avoid body contact with earthed or grounded surfaces, such as pipes, radiators, ranges and refrigerators.** There is an increased risk of electric shock if your body is earthed or grounded.
- c) **Do not expose power tools to rain or wet conditions.** Water entering a power tool will increase the risk of electric shock.
- d) **Do not abuse the cord. Never use the cord for carrying, pulling or unplugging the power tool. Keep cord away from heat, oil, sharp edges and moving parts.** Damaged or entangled cords increase the risk of electric shock.
- e) **When operating a power tool outdoors, use an extension cord suitable for outdoor use.** Use of a cord suitable for outdoor use reduces the risk of electric shock.
- f) **If operating a power tool in a damp location is unavoidable, use a residual current device (RCD) protected supply.** Use of an RCD reduces the risk of electric shock.

3) Personal safety

- a) **Stay alert, watch what you are doing and use common sense when operating a power tool. Do not use a power tool while you are tired or under the influence of drugs, alcohol or medication.** A moment of

inattention while operating power tools may result in serious personal injury.

b) Use personal protective equipment. Always wear eye protection. Protective equipment such as dust mask, non-skid safety shoes, hard hat, or hearing protection used for appropriate conditions will reduce personal injuries.

c) Prevent unintentional starting. Ensure the switch is in the off-position before connecting to power source and/or battery pack, picking up or carrying the tool. Carrying power tools with your finger on the switch or energising power tools that have the switch on invites accidents.

d) Remove any adjusting key or wrench before turning the power tool on. A wrench or a key left attached to a rotating part of the power tool may result in personal injury.

e) Do not overreach. Keep proper footing and balance at all times. This enables better control of the power tool in unexpected situations.

f) Dress properly. Do not wear loose clothing or jewellery. Keep your hair, clothing and gloves away from moving parts.

Loose clothes, jewellery or long hair can be caught in moving parts.

g) If devices are provided for the connection of dust extraction and collection facilities, ensure these are connected and properly used. Use of dust collection can reduce dust-related hazards.

4) Power tool use and care

a) Do not force the power tool. Use the correct power tool for your application. The correct power tool will do the job better and safer at the rate for which it was designed.

b) Do not use the power tool if the switch does not turn it on and off. Any power tool that cannot be controlled with the switch is dangerous and must be repaired.

c) Disconnect the plug from the power source and/or the battery pack from the power tool before making any adjustments, changing accessories, or storing power tools. Such preventive safety measures reduce the risk of starting the power tool accidentally.

d) Store idle power tools out of the reach of children and do not allow persons unfamiliar with the power tool or these instructions to operate the power tool. Power tools are dangerous in the hands of untrained users.

e) Maintain power tools. Check for misalignment or binding of moving parts, breakage of parts and any other condition that may affect the power tool's operation. If damaged, have the power tool repaired before use. Many accidents are caused by poorly maintained power tools.

f) Keep cutting tools sharp and clean. Properly maintained cutting tools with sharp cutting edges are less likely to bind and are easier to control.

g) Use the power tool, accessories and tool bits etc. in accordance with these instructions, taking into account the working conditions and the work to be performed.

Use of the power tool for operations different from those intended could result in a hazardous situation.

5) BATTERY TOOL USE AND CARE

a) Recharge only with the charger specified by the manufacturer. A charger that is suitable for one type of battery pack may create a risk of fire when used with another battery pack.

b) Use power tools only with specifically designated battery packs. Use of any other battery packs may create a risk of injury and fire.

c) When battery pack is not in use, keep it away from other metal objects like paper clips, coins, keys, nails, screws, or other small metal objects that can make a connection from one terminal to another.

Shorting the battery terminals together may cause burns or a fire.

d) Under abusive conditions, liquid may be ejected from the battery; avoid contact. If contact accidentally occurs, flush with water. If liquid contacts eyes, additionally seek medical help. Liquid ejected from the battery may cause irritation or burns.

6) Service

a) Have your power tool serviced by a qualified repair person using only identical replacement parts. This will ensure that the safety of the power tool is maintained.

SAFETY INSTRUCTION FOR CORDLESS DRILL/DRIVER

- Avoid damage that can be caused by screws, nails and other elements in your work piece; remove them before you start working
- Always check that the supply voltage is the same as the voltage indicated on the nameplate of the

charger

- In case of electrical or mechanical malfunction, immediately switch off the tool or unplug charger from power source
- Maxpro can assure flawless functioning of the tool only when the correct accessories are used which can be obtained from your Maxpro dealer
- Use only accessories with an allowable speed matching at least the highest no-load speed of the tool
- The tool/charger is not intended for use by persons (including children) with reduced physical, sensory or mental capabilities, or lack of experience and knowledge, unless they have been given supervision or instruction concerning use of the tool/charger by a person responsible for their safety
- Ensure that children do not play with the tool/charger
- **Secure the work piece** (a work piece clamped with clamping devices or in a vice is held more securely than by hand)
- **Hold the power tool only by the insulated gripping surfaces when performing an operation where the accessory may contact hidden wiring or its own power cord** (contact with a "live" wire will also make exposed metal parts of the power tool "live" and shock the operator)
- **Use suitable detectors to find hidden utility lines or call the local utility company for assistance** (contact with electric lines can lead to fire or electrical shock; damaging a gas line can result in an explosion; penetrating a water pipe will cause property damage or an electrical shock)
- **Do not work materials containing asbestos** (asbestos is considered carcinogenic)
- Dust from material such as paint containing lead, some wood species, minerals and metal may be harmful (contact with or inhalation of the dust may cause allergic reactions and/or respiratory diseases to the operator or bystanders); **wear a dust mask and work with a dust extraction device when connectable**
- Certain kinds of dust are classified as carcinogenic (such as oak and beech dust) especially in conjunction with additives for wood conditioning; wear a dust mask and work with a dust extraction device when connectable
- Follow the dust-related national requirements for the materials you want to work with
- Ensure that switch is in the middle (locking) position before making any adjustments or changing accessories as well as when carrying or storing the tool

CHARGING/BATTERIES







- Charge battery only with the charger that is supplied with the tool
- Do not touch the contacts in the charger
- Do not expose tool/charger/battery to rain
- Do not charge battery in damp or wet environments
- Store tool/charger/battery in locations where temperature will not exceed 50°C or drop below 0°C
- Do not use charger when damaged; take it to one of the officially registered Maxpro Service Stations for a safety check
- Do not use charger when cord or plug is damaged; cord or plug should be replaced immediately at one of the officially registered Maxpro Service Stations
- Do not use battery when damaged; it should be replaced immediately
- Do not disassemble charger or battery
- Do not attempt to recharge non-rechargeable batteries with the charger
- If you anticipate long periods of non-use for the tool, it is best to unplug the charger from its power source

WHEN CONNECTING NEW 3-PIN PLUG (U.K. ONLY):

- Do not connect the blue (= neutral) or brown (= live) wire in the cord of the charger to the earth terminal of the plug
- If for any reason the old plug is cut off the cord of the charger, it must be disposed of safely and not left unattended

SYMBOLS

	Read the manual		Wear ear protection
-------------------------------------------------------------------------------------	-----------------	-------------------------------------------------------------------------------------	---------------------

	Warning		Wear dust mask
	Double insulation		Do not dispose of old appliances in the household garbage
	Wear eye protection		Disconnect from power supply while maintenance

OPERATING INSTRUCTION

Always switch off the drill before insertion or removal of the battery. Installing the battery Holding the drill upright and picking up the battery in your opposite hand, place two fingers over the battery release buttons and insert the battery until it clicks into place. Do not use excessive force when inserting the battery, if the battery does not slide in easily, it is not being inserted correctly, it is also possible that there could be damage to the battery, battery terminals or the drill

REMOVING THE BATTERY

Removing the Battery

Depress both the battery release buttons and gently pull the battery out of the drill.

NOTE: If light on the charging fails to come on.

Check the charger is securely plugged into the wall outlet and is switched on.

Check the battery is firmly seated onto the charger.

Installing Drill or Driver Bits

Remove the battery from the drill.

Open or close the keyless chuck to a point where the opening is slightly larger than the drill or driver bit you intend to use.

Insert the drill or driver bit into the keyless chuck, ensuring the end of the drill or driver bit does not touch the screw inside the keyless chuck .

Tighten the keyless chuck onto the drill or driver bit as described above.

Removing Drill/Driver Bits

Remove the battery from the drill Loosen the keyless chuck as described above Remove the drill or driver bit from the keyless chuck.

Note: Do not handle drill bits without gloves as drill bits and other accessories are sharp or can be hot after use, this can cause personal injury, General hints for drilling in all materials, Always use sharp drill bits Mark the place where you would like the hole to be drilled, Commence with a slow speed to start the hole (see section "Speed Control" for directions on how to do this)

Reduce your pressure on the drill when the drill bit is about to break through the material

Metal Drilling

Support thin material with a piece of scrap wood, Use a centre punch to mark the position of the hole, If drilling a large hole, use a small size drill bit first to establish a pilot hole then use the required large size drill bit, Use only HSS(high speed steel) drill bits or those recommended for metal use, When drilling into iron or steel, use a cooling lubricant such as thin oil. With aluminum, use turpentine or paraffin. With brass, copper and cast iron, use no lubricant but withdraw the drill regularly to assist cooling

Wood Drilling

Mark the place where you want to drill with a punch or a nail, To avoid splintering on breakthrough, either clamp a piece of scrap wood to the back of your work piece or continue the hole from the back of the wood when the drill bit first breaks through

Torque settings(Tightening power of your drill)

When using your drill for various driving applications, it becomes necessary to increase and decrease the power and torque in order to prevent the possibility of damaging screw heads, threads, work pieces, etc In general, power and torque should correspond to the difficulty of the screw to be driven. If torque is too high, the screws can be damaged or broken

To Adjust Torque

- Locate the arrow on the front of the drill housing.
- Identify the torque settings and 1 drill setting on the torque adjustment collar. • Rotate the torque adjustment collar to the desired setting, aligning the required number on the torque adjustment collar with the arrow on the drill housing.

• To increase or decrease torque, rotate the torque adjustment collar. The lower the number, the lower the torque setting. The higher the number, the higher the torque setting.

Always check that the correct torque is selected by practising on scrap material prior to carrying out a job. The torque setting required to drive screws will differ with different materials. Start with the torque setting on the number you think is appropriate and simply increase the torque adjustment collar to a higher number if the screw head is not sitting flush with your work piece. Remove the screw after adjusting and re-drive the screw back into the work piece until the correct torque adjustment leaves the screw head flush with your work piece.

Keyless Chuck

A keyless chuck is included on your drill to allow for easy installation and removal of bits/accessories. The chuck is divided into two parts. The rear is called the collar and the front is the body.

To open and close the keyless chuck, grasp and hold the collar of the chuck with one hand and rotate the chuck body with your other hand.

The arrows on the chuck indicate in which direction to rotate the chuck body in order to GRIP (tighten) or RELEASE (unlock) the drill bit.

Warning! Do not hold the chuck body with one hand and use power of the drill to tighten or loosen the chuck jaws. The chuck body could slip and your hand could come in contact with a rotating accessory. This could cause an accident resulting in personal injury.

Changing the Direction of Rotation

The direction of rotation can be changed with the forward/release selector, this is located above the variable speed switch.

To select the forward drilling position, push the forward/reverse selector hard left. To select the reverse drilling position, push the forward/reverse selector hard right

The variable speed switch can be locked off by pushing the forward/reverse selector into the middle of both the forward and reverse positions.

Do not change the direction of rotation while the keyless chuck is in motion

DRILL OPERATION

The Variable Speed Switch

Turn the drill ON by depressing the variable speed switch

To turn the drill OFF release the variable speed switch

Speed Control

The drill has a 2-speed gearbox, the speed selector(3) is located on the top of the drill. First gear has a range of 0-350/min, second gear has a range of 0-1100/min. the speed can be varied from 0 to maximum in switch. This way you can select the best possible speed for the job required

LED Lights

The drill has 1 LED light built into the unit. The LED light is located above the variable speed switch.

The LED light turns on automatically when you depress the variable speed switch.

The LED light illuminates dark areas in tight corners to assist with drilling and screw driving. This helps achieve a more accurate result in your workpiece.

LED POWER CAPACITY INDICATOR

3 LEDs will show you the capacity of battery.

CHARGING THE BATTERY

The drill has been shipped in a quick charge condition. You should charge it prior to use.

Plug the charger into a power outlet.

Insert the battery into the charger. The recess of the battery terminals will have a firm connection. Upon proper contact the red and green light will illuminate and when fully charged the red light will go out and only the green light will be illuminated.

The battery will take one hour to charge. Charging starts automatically. Remove the battery (5) from the charger after one hour.

When the battery is hot, it may not charge immediately. This is a feature of the lithium ion battery as charging hot batteries shortens their life. In this case, the green light only will illuminate when the

battery is inserted into the charging. The battery needs to cool which may take several minutes and it will automatically start charging once cooled.

Initial Charge

Charge your battery for one hour then use it until it runs down and only slowly operates.

Repeat this charge and discharge process approximately 4-5 times, this will ensure that the battery is performing to its highest capacity.

Charger will not turn off when the battery is fully charged.

Important Charging Notes

The charger and battery may become warm to touch while charging. This is a normal condition, and does not indicate a problem.

Use the charger at normal room temperatures whenever possible. To prevent overheating, do not cover the charger and do not charge the battery in direct sunlight or near heat sources.

If the battery does not charge properly:

1. Check current at power outlet by plugging in a lamp or other appliance.
2. If charging problems persist, have the complete drill checked by an electrician or a power tool repairer.

Battery

The length of service from each charging cycle will depend on the type of work you are doing. The battery in this drill have been designed to provide maximum trouble free life. However, like all batteries, they will eventually wear out.

To obtain the longest possible battery life, we suggest the following: Store and charge your battery in a cool area. Temperatures above or below normal room temperature will shorten battery life.

Never store batteries in a discharged condition. Recharge them immediately after they are discharged. All batteries gradually lose their charge. The higher the temperature the quicker they lose their charge. If you store your drill for long periods of time without using it, recharge the batteries every month or two. This practice will prolong battery life.

CLEANING AND MAINTANCE

When not in use, the drill should be stored in a dry, frost free location, out of reach of children. Keep ventilation slots of the drill clean at all times and prevent any foreign matter from entering. If the housing of the drill requires cleaning, do not use solvents but a moist soft cloth only. Blow out the ventilation slots with compressed air periodically.

ENVIRONMENT

Do not dispose of electric tools, accessories and packaging together with household waste material

- in observance of European Directive 2002/96/EC on waste of electric and electronic equipment and its implementation in accordance with national law, electric tools that have reached the end of their life must be collected separately and returned to an environmentally compatible recycling facility.

TROUBLE SHOOTING

Fault Symptom	Possible Cause	Troubleshooting
Out of service	Insufficient charging capacity in accumulator	Replace fully recharged accumulator
	Accumulator damage	Replace accumulator
	Motor wearout	Replace electric motor by repairer
	Switchboard damage	Replace switchboard by repairer
Insufficient running	Insufficient charging capacity	Replace fully recharged accumulator
	Damage in gear wheel	Replace gear wheel by repairer
	Motor wearout	Replace electric motor by repairer

Running noise frequently	Wearout of motor gear wheel	Replace gear wheel by repairer
	Fracture in gearing box	Replace gearing box by repairer
Drill chuck in loosening	Drill chuck in wide loosening	Replace drill chuck by repairer
Failed to reach full charging capacity	Disconnection between plug and power socket	Put plug in power socket
	Shortcircuit in supply power	Repair supply power
	Fuse blowout or damage in electricity charger	Repair or replace electricity charger
	Accumulator damage	Replace accumulator battery

Table des matières

DONNÉES TECHNIQUES.....	9
APPLICATION.....	10
AVERTISSEMENT.....	10
INSTRUCTIONS GENERALES DE SECURITE.....	10
INSTRUCTIONS DE SECURITE POUR MEULEUSED'ANGLE.....	12
SYMBOLES.....	13
INSTRUCTION D'OPERATION.....	13
NETTOYAGE ET MAINTENANCE.....	16
ENVIRONNEMENT.....	16
RESOLUTION DE PROBLEMES.....	16

DONNÉES TECHNIQUES

Modèle	MPCD12Li/2V
Le code d'article	112-0023
Le voltage de batterie	12V MAX
Le type du moteur	# 550
Lavitesse à vide	0-350/min 0-1350/min
La capacité du disque à serrage	0.8-10mm
Le couple maximal	25Nm
Le réglage de l'embrayage	18+1
Le type de batterie	Li-ion
La capacité de batterie	1.5Ah
Le temps de chargeur	1hour
Poids suivant EPTA-Procedure 01/2003	1KG

Niveau sonore et vibrations

LpA niveau de pression acoustique	67.2dB(A)
LWA niveau de puissance acoustique	78.2dB(A)
Incertitude	3 dB(A)
Valeur d'émission des vibrations	1.0 m/s ²
Incertitude	1.5 m/s ²

Le niveau d'oscillation indiqué dans ces instructions d'utilisation a été mesuré conformément à la norme EN 60745 et peut être utilisé pour une comparaison d'outils électroportatifs. Il est également approprié pour une estimation préliminaire de la charge vibratoire.

Le niveau d'oscillation correspond aux utilisations principales de l'outil électroportatif. Si l'outil électrique est cependant utilisé pour d'autres applications, avec d'autres outils de travail ou avec un entretien non approprié, le niveau d'oscillation peut être différent. Ceci peut augmenter considérablement la

charge vibratoire pendant toute la durée de travail.

Pour une estimation précise de la charge vibratoire, il est recommandé de prendre aussi en considération les périodes pendant lesquelles l'appareil est éteint ou en fonctionnement, mais pas vraiment utilisé. Ceci peut réduire considérablement la charge vibratoire pendant toute la durée de travail.

Déterminez des mesures de protection supplémentaires pour protéger l'utilisateur des effets de vibrations, telles que par exemple : entretien de l'outil électrique et des outils de travail, maintenir les mains chaudes, organisation judicieuse des opérations de travail.

APPLICATION

Cet appareil est destiné à la conduite et au desserrage des vis, ainsi que pour percer dans le bois, le métal et le plastique.

est décidé à l'amélioration continue et au perfectionnement de ses produits existants.

Par conséquent, la performance technique et le design des produits peuvent varier sans préavis; nous vous présentons nos excuses pour toute possible gêne occasionnée due à cela. Lisez et suivez les instructions de mise-en-route ainsi que les conseils de sécurité avant la première utilisation. **Conserver ce manuel.**

AVERTISSEMENT

Avant d'effectuer aucun réglage, l'entretien ou la maintenance: débrancher la machine en retirant la prise électrique.

Lisez tous les avertissements de sécurité et les instructions. Ne pas suivre ces avertissements et ces instructions pourraient entraîner un choc électrique, un incendie et/ou des blessures graves.

Assurez-vous que la tension correspond aux données inscrites sur la machine.

Les matériaux d'emballage ne sont pas de jouets! Les enfants ne doivent pas jouer avec des sacs en plastique! Risque de suffocation!

Le niveau de pression acoustique peut dépasser 85dB(A) dans le lieu de travail. Dans ce cas-là, porter des protections auditives.

INSTRUCTIONS GENERALES DE SECURITE

ATTENTION! Lisez tous les avertissements de sécurité et toutes les instructions. Ne pas suivre les avertissements et instructions peut entraîner un choc électrique, un incendie et/ou de graves blessures sur les personnes. **Conservez tous les avertissements et toutes les instructions pour pouvoir s'y reporter ultérieurement.** La notion d'"outil électroportatif" dans les avertissements se rapporte à des outils électriques raccordés au secteur (avec câble de raccordement) et à des outils électriques à batterie (sans câble de raccordement).

1) SECURITE DE LA ZONE DE TRAVAIL

a) **Maintenez l'endroit de travail propre et bien éclairé.** Un lieu de travail en désordre ou mal éclairé augmente le risque d'accidents.

b) **N'utilisez pas l'appareil dans un environnement présentant des risques d'explosion et où se trouvent des liquides, des gaz ou poussières inflammables.** Les outils électroportatifs génèrent des étincelles risquant d'enflammer les poussières ou les vapeurs.

c) **Tenez les enfants et autres personnes éloignés durant l'utilisation de l'outil électroportatif.** En cas d'inattention vous risquez de perdre le contrôle sur l'appareil.

2) SECURITE RELATIVE AU SYSTEME ELECTRIQUE

a) **La fiche de secteur de l'outil électroportatif doit être appropriée à la prise de courant. Ne modifiez en aucun cas la fiche. N'utilisez pas de fiches d'adaptateur avec des appareils avec mise à la terre.** Les fiches non modifiées et les prises de courant appropriées réduisent le risque de choc électrique.

b) **Évitez le contact physique avec des surfaces mises à la terre telles que tuyaux, radiateurs, fours et réfrigérateurs.** Il y a un risque élevé de choc électrique au cas où votre corps serait relié à la terre.

c) **N'exposez pas l'outil électroportatif à la pluie ou à l'humidité.** La pénétration d'eau dans un outil électroportatif augmente le risque d'un choc électrique.

d) **N'utilisez pas le câble à d'autres fins que celles prévues, n'utilisez pas le câble pour porter l'appareil ou pour l'accrocher ou encore pour le débrancher de la prise de courant. Maintenez le câble éloigné des**

sources de chaleur, des parties grasses, des bords tranchants ou des parties de l'appareil en rotation. Un câble endommagé ou torsadé augmente le risque d'un choc électrique.

e) Au cas où vous utiliserez l'outil électroportatif à l'extérieur, utilisez une rallonge autorisée homologuée pour les applications extérieures. L'utilisation d'une rallonge électrique homologuée pour les applications extérieures réduit le risque d'un choc électrique.

f) Si l'usage d'un outil dans un emplacement humide est inévitable, utilisez un disjoncteur de fuite à la terre. L'utilisation d'un disjoncteur de fuite à la terre réduit le risque de choc électrique.

3) SECURITE DES PERSONNES

a) Restez vigilant, surveillez ce que vous faites. Faites preuve de bon sens en utilisant l'outil électroportatif. N'utilisez pas l'appareil lorsque vous êtes fatigué ou après avoir consommé de l'alcool, des drogues ou avoir pris des médicaments. Un moment d'inattention lors de l'utilisation de l'appareil peut entraîner de graves blessures sur les personnes.

b) Portez des équipements de protection. Portez toujours des lunettes de protection. Le fait de porter des équipements de protection personnels tels que masque anti-poussières, chaussures de sécurité antidérapantes, casque de protection ou protection acoustique suivant le travail à effectuer, réduit le risque de blessures.

c) Evitez tout démarrage intempestif. S'assurez que l'interrupteur est en position arrêt avant de brancher l'outil au secteur et/ou au bloc de batteries, de le ramasser ou de le porter. Porter les outils en ayant le doigt sur l'interrupteur ou brancher des outils dont l'interrupteur est en position marche est source d'accidents.

d) Enlevez tout outil de réglage ou toute clé avant de mettre l'appareil en fonctionnement. Une clé ou un outil se trouvant sur une partie en rotation peut causer des blessures.

e) Ne surestimez pas vos capacités. Veillez à garder toujours une position stable et équilibrée. Ceci vous permet de mieux contrôler l'appareil dans des situations inattendues.

f) Portez des vêtements appropriés. Ne portez pas de vêtements amples ni de bijoux. Maintenez cheveux, vêtements et gants éloignés des parties de l'appareil en rotation. Des vêtements amples, des bijoux ou des cheveux longs peuvent être happés par des pièces en mouvement.

g) Si des dispositifs servant à aspirer ou à recueillir les poussières doivent être utilisés, vérifiez que ceux-ci soient effectivement raccordés et qu'ils sont correctement utilisés. L'utilisation des collecteurs de poussière réduit les dangers dus aux poussières.

4) UTILISATION ET EMPLOI SOIGNEUX DE L'OUTIL ELECTROPORTATIF

a) Ne surchargez pas l'appareil. Utilisez l'outil électroportatif approprié au travail à effectuer. Avec l'outil électroportatif approprié, vous travaillerez mieux et avec plus de sécurité à la vitesse pour laquelle il est prévu.

b) N'utilisez pas un outil électroportatif dont l'interrupteur est défectueux. Un outil électroportatif qui ne peut plus être mis en ou hors fonctionnement est dangereux et doit être réparé.

c) Débranchez la fiche de la source d'alimentation en courant et/ou le bloc de batteries de l'outil avant tout réglage, changement d'accessoires ou avant de ranger l'outil. Cette mesure de précaution empêche une mise en fonctionnement par mégarde.

d) Gardez les outils électroportatifs non utilisés hors de portée des enfants. Ne permettez pas l'utilisation de l'appareil à des personnes qui ne se sont pas familiarisées avec celui-ci ou qui n'ont pas lu ces instructions. Les outils électroportatifs sont dangereux lorsqu'ils sont utilisés par des personnes non initiées.

e) Prenez soin des outils électroportatifs. Vérifiez que les parties en mouvement fonctionnent correctement et qu'elles ne soient pas coincées, et contrôlez si des parties sont cassées ou endommagées de telle sorte que le bon fonctionnement de l'appareil s'en trouve entravé. Faites réparer les parties endommagées avant d'utiliser l'appareil. De nombreux accidents sont dus à des outils électroportatifs mal entretenus.

f) Maintenez les outils de coupe aiguisés et propres. Des outils soigneusement entretenus avec des bords tranchants bien aiguisés se coincent moins souvent et peuvent être guidés plus facilement.

g) Utilisez les outils électroportatifs, les accessoires, les outils à monter etc. conformément à ces instructions. Tenez compte également des conditions de travail et du travail à effectuer. L'utilisation des outils électroportatifs à d'autres fins que celles prévues peut entraîner des situations dangereuses.

5) UTILISATION ET EMPLOI SOIGNEUX DES APPAREILS SANS FIL

a) Ne chargez les accumulateurs que dans des chargeurs recommandés par le fabricant. Un chargeur

approprié à un type spécifique

d'accumulateur peut engendrer un risque d'incendie lorsqu'il est utilisé avec d'autres accumulateurs.

b) Dans les outils électroportatifs, n'utilisez que les accumulateurs spécialement prévus pour celui-ci.

L'utilisation de tout autre accumulateur peut entraîner des blessures et des risques d'incendie.

c) Tenez l'accumulateur non-utilisé à l'écart de toutes sortes d'objets métalliques tels qu'agrafes, pièces de monnaie, clés, clous, vis ou autres, étant donné qu'un pontage peut provoquer un court-circuit. Un court-circuit entre les contacts d'accu peut provoquer des brûlures ou un incendie.

d) En cas d'utilisation abusive, du liquide peut sortir de l'accumulateur. Evitez tout contact avec ce liquide. En cas de contact par mégarde, rincez soigneusement avec de l'eau. Au cas où le liquide rentrerait dans les yeux, consultez en plus un médecin.

Le liquide qui sort de l'accumulateur peut entraîner des irritations de la peau ou causer des brûlures.

6) SERVICE

a) Ne faites réparer votre outil électroportatif que par un personnel qualifié et seulement avec des pièces de rechange d'origine. Ceci permet d'assurer la sécurité de l'appareil.

INSTRUCTIONS DE SECURITE POUR PERCEUSE/VISSEUSES

SANSFIL


- Faites attention aux vis, clous ou autres éléments qui pourraient se trouver dans la pièce à travailler et qui risqueraient d'endommager très fortement votre outil; enlevez-les avant de commencer le travail
- Contrôlez toujours si la tension secteur correspond à la tension indiquée sur la plaquette signalétique du chargeur
- En cas d'anomalie électrique ou mécanique, coupez immédiatement l'outil ou débranchez le chargeur du secteur
- Maxpro ne peut se porter garant du bon fonctionnement de cet outil que s'il a été utilisé avec les accessoires d'origine
- La vitesse admissible des accessoires utilisés doit être au moins aussi élevée que la vitesse à vide maximale de l'outil
- L'outil/chargeur n'a pas été conçu pour être utilisé par des personnes (y compris des enfants) dont les capacités physiques, sensorielles ou mentales sont réduites, ou manquant d'expérience ou de connaissances, excepté si elles ont fait l'objet d'une surveillance ou ont reçu des instructions concernant l'utilisation de l'outil/chargeur par une personne responsable de leur sécurité
- Veillez à ce que les enfants ne jouent pas avec l'outil/le chargeur
- Fixez solidement la pièce à travailler (une pièce fixée à l'aide de dispositifs de fixation est davantage assurée que si elle était tenue à la main)
- Ne tenez l'outil électroportatif qu'aux poignées isolées, si, pendant les travaux, l'accessoire risque de toucher des câbles électriques cachés ou son propre câble d'alimentation (le contact avec des conduites sous tension a pour conséquence une mise sous tension des parties métalliques de l'outil électrique et provoque une décharge électrique)
- Utilisez des détecteurs appropriés afin de localiser la présence de conduites électriques ou bien s'adresser à la société locale de distribution (un contact avec des lignes électriques peut provoquer un incendie et une décharge électrique; le fait d'endommager une conduite de gaz peut entraîner une explosion; le fait d'endommager une conduite d'eau peut entraîner des dégâts matériels ou causer une décharge électrique)
- Ne travaillez pas de matériaux contenant de l'amiant (l'amiant est considérée comme étant cancérigène)
- La poussière de matériaux, tels que la peinture contenant du plomb, certaines espèces de bois, certains minéraux et différents métaux, peut être nocive (le contact avec la poussière ou son inhalation peut provoquer des réactions allergiques et/ou des maladies respiratoires chez l'opérateur ou des personnes se trouvant à proximité); portez un masque antipoussières et travaillez avec un appareil de dé poussiérage lorsqu'il est possible d'en connecter un

- Certains types de poussières sont classifiés comme étant cancérigènes (tels que la poussière de chêne ou de hêtre), en particulier en combinaison avec des additifs de traitement du bois; portez un masque antipoussières et travaillez avec un appareil de dépoussiérage lorsqu'il est possible d'en connecter un
- Suivez les directives nationales relatives au dépoussiérage pour les matériaux à travailler
- Vérifiez que le commutateur est en position moyen (de blocage) avant d'effectuer des réglages sur l'outil ou de changer des accessoires, ainsi qu'en transportant ou rangant l'outil

RECHARGE/BATTERIES

- Rechargez la batterie uniquement avec le chargeur fourni avec l'outil
- Ne touchez pas les contacts du chargeur
- Ne jamais exposez l'outil/le chargeur/la batterie à la pluie
- Ne chargez pas la batterie dans un environnement humide
- Rangez l'outil/le chargeur/la batterie dans des endroits où la température n'excède pas 50°C et ne descende pas au dessous de 0°C
- N'utilisez jamais un chargeur endommagé; confiez-le à une des stations-service agréées SKIL que effectuera un contrôle de sécurité
- N'utilisez jamais de chargeur avec un câble ou une fiche endommagé; remplacez le câble ou la fiche au plus vite dans l'une des stations-service agréées Maxpro
- Ne pas utilisez la batterie lorsque celle-ci est endommagée; remplacez-la au plus vite
- Ne démontez pas le chargeur ou la batterie
- Ne tentez pas de recharger des batteries nonrechargeables avec le chargeur
- Si vous prévoyez de ne pas utiliser l'outil pendant quelques temps, il serait préférable de débrancher le chargeur du secteur

LES DESCRIPTION DES SYMBOLES

	Lire attentivement la notice		Munissez-vous d'une protection acoustique
	Avertissement		Porter un masque anti-poussière
	Double isolation pour une protection supplémentaire		Ne pas jeter les appareils électroportatifs dans les ordures ménagères!
	Protection des yeux		S'il vous plaît débrancher l'alimentation avant l'entretien

INSTRUCTION D'OPERATION

Toujours éteindre la drille avant l'insertion ou le retraitement de la batterie. Installation de la batterie. Tenir la perceuse verticale et ramasser la batterie de votre main opposée, placer deux doigts sur les boutons de dégagement de la batterie et insérer les batteries jusqu'à ce qu'il clique en place. Ne pas utiliser des forces excessives lors de l'insertion de la batterie, si la batterie ne glisse pas facilement, il n'est pas insérée correctement, il est également possible qu'il pourrait y avoir des dommages à la batterie, les bornes de la batterie ou la perceuse.

Retirer de la Batterie

Appuyer sur les deux boutons de dégagement de la batterie retirer délicatement la batterie de la perceuse.

NOTA: Si la lumière sur la charge n'arrive pas à s'allumer. Vérifier que le chargeur est bien branché dans la prise murale et est allumé.

Vérifier que la batterie est bien positionnée sur le chargeur

Installation de la drille ou du pilote

Retirer la batteries de la perceuse.

Ouvrir ou fermer le mandrin sans clé à un point où l'ouverture est légèrement plus grand que le perçage ou

de pilote que vous souhaitez utiliser.

Insérez le foret ou mèche dans le mandrin sans clé, en assurant la fin de la mèche ou le conducteur ne touche pas la vis à l'intérieur du mandrin.

Serrez le mandrin sur le foret ou le pilote comme décrit ci-dessus.

Retirer de la perceuse / du tournevis

Retirer la batterie de la perceuse

Desserrer le mandrin automatique tel que décrit ci-dessus

Retirer le foret ou l'embout du mandrin

NOTA: Ne pas manipuler les forets sans gants comme les forets et autres accessoires sont tranchants ou peuvent être chaud après l'usage, ce qui peut causer des blessures

Conseils généraux pour le forage dans toutes les matières

Toujours utiliser des forets bien affûtés

Marquer l'endroit où vous souhaitez de percer à un le trou.

Commencer avec une petite vitesse pour percer le trou (voir la section « Commande de vitesse » pour les instructions sur la façon de le faire)

Réduire votre pression sur le forage lorsque le foret est sur le point de percer le matériau

Le perçage des métaux

Support du matériau mince avec un morceau de bois de rebut

Utiliser un pointeau pour marquer la position du trou

Si percer un grand trou, utiliser un petit foret d'abord pour établir un avant-trou, puis utiliser le grand foret requis

Utiliser uniquement le HSS (l'acier de grande vitesse) forets ou ceux qui sont recommandées pour l'utilisation de métal

Lors du forage en fer ou en acier, utiliser un lubrifiant de refroidissement tel que de l'huile fluide. Avec l'aluminium, utiliser l'essence de térébenthine ou de la paraffine. Avec le laiton, le cuivre et la fonte, ne pas utiliser de lubrifiant mais retirer le foret régulièrement pour aider le refroidissement.

Le forage en bois

Marquer l'endroit où vous voulez percer avec un poinçon ou un clou. Pour éviter l'éclatement de percée, soit serrer un morceau de bois de rebut à l'arrière de votre pièce de travail ou de poursuivre le trou à l'arrière du bois lorsque le premier foret perce.

Les Paramètres d'Embrayage (la puissance de serrage de votre perceuse)

Lorsque vous utilisez votre perceuse pour diverses applications de conduite, il devient nécessaire d'augmenter et de diminuer la puissance et du couple afin d'éviter la possibilité d'endommager les têtes de vis, fils, pièces de travail, etc.

En général, la puissance et le couple doivent correspondre à la difficulté de la vis à entraîner. Si le couple est trop élevé, les vis peuvent être endommagés ou cassés.

Pour régler le couple

- Placez la flèche sur le devant du boîtier de forage.
- Identifier les réglages d'embrayage et 1 réglage de forage sur la bague de réglage du couple.
- Faites tourner la bague de réglage du couple à la position désirée, en alignant le nombre requis sur la bague de réglage du couple avec la flèche sur le boîtier de forage.
- Pour augmenter ou diminuer le couple, tourner la bague de réglage du couple. Plus le nombre est élevé, plus la valeur de couple devrait être, et vice versa.

Toujours vérifier que le couple de serrage correct est sélectionné en pratiquant le matériau de rebut avant d'effectuer un travail.

Le couple de serrage nécessaire pour conduire vis sera différent avec différents matériaux. Commencez par fixer le couple sur le numéro que vous pensez que c'est approprié et simplement augmenter la bague de réglage du couple à un nombre plus élevé si la tête de vis n'est pas assis au ras de votre pièce. Retirez la vis après le réglage et r e-enfoncer la vis de nouveau dans la pièce jusqu'à ce que le réglage du couple correct quitte la tête de la vis de niveau avec votre pièce.

Mandrin automatique

Un mandrin est inclus sur votre perceuse pour faciliter l'installation et l'enlèvement de bits / accessoires. Le mandrin est divisé en deux parties. L'arrière est appelé le collier et la face avant est le corps.

Pour ouvrir et fermer le mandrin sans clé, saisir et tenir le collier du mandrin d'une main et tourner le corps du mandrin avec l'autre main.

Les flèches sur le mandrin indiquent dans quel sens tourner le corps du mandrin afin de GRIP (serrer) ou RELEASE (déverrouillage), le foret.

Attention! Ne pas tenir le corps du mandrin d'une main et la puissance de l'utilisation de la perceuse pour serrer ou desserrer les mâchoires du mandrin. Le corps du mandrin pourrait glisser et votre main pourrait entrer en contact avec un accessoire en rotation. Cela pourrait provoquer un accident entraînant des blessures.

Inversion du sens de rotation

Le sens de rotation peut être modifié au moyen du sélecteur de marche avant / marche arrière qui est situé au-dessus de l'interrupteur à vitesse variable.

Pour sélectionner la position de perçage de l'avant, pousser l'avant / arrière sélecteur gauche dure. Pour sélectionner la position de forage inverse, pousser la droite dure sélecteur de marche avant / arrière.

L'interrupteur à vitesse variable peut être verrouillé off en appuyant sur le sélecteur de marche avant / arrière au milieu des deux positions avant et arrière.

Ne pas changer le sens de rotation tandis que le mandrin est en mouvement.

Allumer et éteindre

- Appuyer sur le bouton marche / arrêt. Il règle la vitesse de l'appareil par la transmission de puissance vers le commutateur.

- Relâchez le bouton marche / arrêt pour arrêter le mandrin de perçage immédiatement qui ne sera plus fonctionner.

- Déplacer l'inverseur de direction vers le centre afin de verrouiller l'appareil dans son état désactivé.

Seulement fixer l'appareil quand il a cessé de fonctionner complètement.

Ne le placez pas sur une surface poussiéreuse que des particules de poussière peuvent entrer dans le mécanisme.

Contrôle de vitesse

La perceuse est équipée d'une boîte de vitesses 2-vitesse et le sélecteur de vitesse est située sur le dessus de la perceuse. Le premier rapport a une portée de 0-350/min et le second engrenage a une portée de 0-1100/min. La vitesse peut varier de 0 au maximum dans le commutateur. De cette façon, vous pouvez sélectionner la vitesse optimale pour le travail requis

Lumières LED

Le forage a 1 lumière LED intégré dans l'unité. La lumière LED est située au-dessus de l'interrupteur à vitesse variable.

Le voyant lumineux s'allume automatiquement lorsque vous appuyez sur l'interrupteur de vitesse variable.

La lumière LED éclaire les zones sombres dans les virages serrés pour aider au forage et le vissage. Cela permet d'atteindre un résultat plus précis dans votre pièce.

LED POWER INDICATEUR DE CAPACITE

3 LEDs va vous montrer la capacité de la batterie

Chargement de la batterie

- C'est Préfêtable de placer le support de batterie sur une table plane, que de brancher le chargeur sur une prise électrique. Le voyant vert indique la puissance.

- Mettez la batterie dans le support de batterie.

- Pendant le chargement, les deux feux rouges et verts sur le support de batterie s'allument.

Dès que le feu vert s'allume, la charge a été achevée et les dispositifs sont prêts à fonctionner. La batterie va prendre une heure pour charger. Lorsque la batterie est chaude, il peut ne pas charger immédiatement. C'est une caractéristique de la batterie lithium-ion parce que charger des batteries chaudes raccourcissent leur durée de vie. Dans ce cas, la lumière verte s'allume uniquement lorsque la batterie est introduite dans le chargement. La batterie doit refroidir, et il peut prendre plusieurs minutes et il sera automatiquement commencer à charger une fois refroidi.

La charge initiale

Chargez votre batterie pendant une heure, puis l'utiliser jusqu'à ce qu'il s'épuise et il ne s'utilise que lentement.

Répétez ce processus de chargent et de déchargent d'environ 4-5 fois, cela garantira que la batterie se porte à sa plus grande capacité.

Chargeur ne s'éteint lorsque la batterie est complètement chargée.

Remarques importantes de chargement

Le chargeur et la batterie peuvent devenir chauds pendant le chargement. Il s'agit d'une condition normale et cela n'indique pas un problème.

Utilisez le chargeur aux températures ambiantes normales autant que possible. Pour éviter la surchauffe, ne couvrez pas le chargeur et ne pas charger la batterie en plein soleil ou à proximité de sources de chaleur.

Au cas où la batterie ne se rechargerait pas correctement :

1. Vérifier le courant à la sortie de puissance en branchant une lampe ou un autre appareil.

2. Si le problème persiste, vérifier toute la perceuse par un électricien ou un réparateur d'outils électriques.

Pour tout type de batterie

La batterie

La durée du service de chaque cycle de charge dépend du type de travail que vous faites. La batterie de cette perceuse a été conçue pour offrir une durée maximale sans ennui. Cependant, comme toutes les batteries, elles finiront par s'épuiser.

Pour obtenir la plus longue durée de vie de batterie possible, nous vous proposons:

Entreposer et charger votre batterie dans un endroit frais. Températures au-dessus ou au-dessous de la température ambiante normale réduira la durée de la batterie.

Ne jamais entreposer les piles dans un état déchargé. Rechargez-les immédiatement quand elles sont déchargées.

Toutes les batteries perdent graduellement leur charge. Plus la température est élevée, plus rapide elles perdent leur charge. Si vous entreposer votre perceuse pour de longues périodes de temps sans l'utiliser, rechargez les batteries tous les mois ou deux.

Cette pratique permettra de prolonger la vie des batteries.

NETTOYAGE ET MAINTENANCE

Lorsqu'il n'est pas utilisé, la perceuse doit être conservée dans un endroit sec, sans givre, et hors de portée des enfants.

Gardez les fentes de ventilation de la perceuse propres en permanence et empêchez toute matière étrangère d'entrer.

Si le boîtier de la perceuse a besoin d'être nettoyé, ne pas utiliser des solvants, mais un chiffon doux humide uniquement.

Soufflez les fentes de ventilation à l'air comprimé périodiquement.

Assurez-vous que la machine n'est pas sous tension lors de travaux de maintenance sur le moteur.

Ces machines ont été conçues pour fonctionner dans une longue période de temps avec un minimum d'entretien. Fonctionnement satisfaisant dépend des soins de la machine et d'un nettoyage régulier.

Nettoyage

Gardez les fentes de ventilation de la machine propre pour éviter la surchauffe du moteur. Nettoyer régulièrement le boîtier de l'appareil avec un chiffon doux, de préférence après chaque utilisation.

Eloignez les fentes de ventilation de la poussière et de la saleté. Si la saleté ne s'enlève pas utiliser un chiffon doux imbibé d'eau savonneuse. N'utilisez jamais de solvants tels que l'essence, de l'alcool, de l'ammoniaque, etc. Ces solvants peuvent endommager les pièces en plastique.

Lubrification

La machine ne nécessite aucune lubrification supplémentaire.

ENVIRONNEMENT

Ne jetez pas les outils électriques, les accessoires et l'emballage dans les ordures ménagères

- conformément à la directive européenne 2002/96/EG relative aux déchets d'équipements électriques ou électroniques, et à sa transposition dans la législation nationale, les outils électriques usés doivent être collectés séparément et faire l'objet d'un recyclage respectueux de l'environnement

DÉPANNAGE

Description des pannes	Causes possibles	Méthode de dépannage
La machine ne marche pas	Les batteries sans électricité	Remplacer les bonnes batteries
	Le détriment des batteries	Remplacer les bonnes batteries
	L'usure de la machine électrique	Remplacer l'électromoteur par le professionnel
	Le détriment de l'interrupteur	Demander aux personnels professionnels de remplacer l'interrupteur
La machine marche mais pas de force	L'insuffisance de quantité d'électricité des batteries	Remplacer les bonnes batteries
	L'usure de la roue dentée de la machine	Demander aux professionnels de remplacer la roue dentée
	L'usure de la machine électrique	Demander aux professionnels de ramplacer l'électromoteur
La machine marche avec rumeur	L'usure de la roue dentée de l'électromoteur	Demander aux professionnels de remplacer la roue dentée
	La rupture de la boîte de roue dentée	Demander aux professionnels de ramplacer la boîte de roue dentée
La vibration de mandrin de foret de la machine	La grande vibration du mandrin de foret	Demander aux professionnels de remplacer un bon mandrin de foret
Il ne faut pas charger complètement les batteries	La fiche de rechargeur ne branche pas à la douille électrique	Brancher la fiche dans la prise de courant
	Hors de circuit	Réparer et connecter la source d'alimentation
	La coupe ou le détriment du fusible de rechargeur	Demander aux personnels professionnels de réparer ou remplacer le rechargeur
	Le détriment des batteries	Remplacer les batteries

Contenido

DATOS TÉCNICOS.....	18
APLICACIÓN.....	19
ADVERTENCIA.....	19
INSTRUCCIONES GENERALES DE SEGURIDAD.....	19
INSTRUCCIONES DE SEGURIDAD PARA AMOLADORAS ANGULARES.....	21
SÍMBOLOS.....	22
INSTRUCCIÓN DE OPERACIÓN.....	22
LIMPIEZA Y MANTENIMIENTO.....	25
AMBIENTE.....	25
SOLUCIONES DE AVERÍAS.....	25

DATOS TÉCNICOS

Modelo	MPCD12Li/2V
Código de artículo	112-0023
Tensión de la batería	12V MAX
Tipo de motor	# 550
Velocidad sin carga	0-350/min 0-1350/min
Capacidad del porta-brocas	0.8-10mm
Par máximo	25Nm
Configuración de velocidad	18+1
Tipo de batería	Li-ion
Capacidad de batería	1.5Ah
Carga	1hour
Peso según EPTA-Procedure 01/2003	1KG

Información sobre ruidos y vibraciones

Nivel de presión acústica LpA	67.2dB(A)
Nivel de potencia acústica LWA	78.2dB(A)
Incertidumbre	3 dB(A)
Valor de vibraciones generadas	1.0 m/s ²
Incertidumbre	1.5 m/s ²

El nivel de vibraciones indicado en estas instrucciones ha sido determinado según el procedimiento de medición fijado en la norma EN 60745 y puede servir como base de comparación con otras herramientas eléctricas. También es adecuado para estimar provisionalmente la sollicitación experimentada por las vibraciones.

El nivel de vibraciones indicado ha sido determinado para las aplicaciones principales de la herramienta

eléctrica. Por ello, el nivel de vibraciones puede ser diferente si la herramienta eléctrica se utiliza para otras aplicaciones, con útiles diferentes, o si el mantenimiento de la misma fuese deficiente. Ello puede suponer un aumento drástico de la sollicitación por vibraciones durante el tiempo total de trabajo. Para determinar con exactitud la sollicitación experimentada por las vibraciones, es necesario considerar también aquellos tiempos en los que el aparato esté desconectado, o bien, esté en funcionamiento, pero sin ser utilizado realmente. Ello puede suponer una disminución drástica de la sollicitación por vibraciones durante el tiempo total de trabajo. Fije unas medidas de seguridad adicionales para proteger al usuario de los efectos por vibraciones, como por ejemplo: Mantenimiento de la herramienta eléctrica y de los útiles, conservar calientes las manos, organización de las secuencias de trabajo.

APLICACIÓN

La máquina está diseñada para atornillar y desatornillar tornillos, así como para la perforación en maderas, metales y plásticos.

MAXPRO se dedica a la mejora y perfeccionamiento de los productos existentes continuamente. Por lo tanto, el concepto de rendimiento y diseño técnico de los productos pueden variarse sin el previo aviso. Disculpa por cualquier posible inconveniente. Por favor lea y siga las instrucciones de funcionamiento y las informaciones de seguridad antes de utilizarlo por la primera vez. Y Mantenga el manual bien.

ADVERTENCIA

Por favor quite el enchufe de la tomacorriente antes de realizar cualquiera configuración, reparación o mantenimiento.

Por favor lea todas las advertencias e instrucciones relacionadas a la seguridad. La falla de seguir las advertencias e instrucciones puede resultarse en los choques eléctricos, los incendios y/o las lesiones graves.

Asegúrese de que el voltaje se corresponde a la etiqueta del tipo de la unidad. **¡Los materiales del embalaje no son juguetes! ¡Los niños no deben jugar con las bolsas plásticas! ¡Peligro de la sofocación!**

La salida del ruido de la herramienta de potencia puede exceder a 85dB(A) en el lugar de trabajo. En este caso, por favor ponga con la protección de los oídos.

INSTRUCCIONES GENERALES DE SEGURIDAD

ATENCIÓN! Lea íntegramente estas advertencias de peligro e instrucciones. En caso de no atenerse a las advertencias de peligro e instrucciones siguientes, ello puede ocasionar una descarga eléctrica, un incendio y/o lesión grave. **Guardar todas las advertencias de peligro e instrucciones para futuras consultas.** El término “herramienta eléctrica” empleado en las siguientes advertencias de peligro se refiere a herramientas eléctricas de conexión a la red (con cable de red) y a herramientas eléctricas accionadas por acumulador (o sea, sin cable de red).

1) SEGURIDAD DEL PUESTO DE TRABAJO

a) Mantenga limpia y bien iluminada su área de trabajo. El desorden o una iluminación deficiente en las áreas de trabajo pueden provocar accidentes.

b) No utilice la herramienta eléctrica en un entorno con peligro de explosión, en el que se encuentren combustibles líquidos, gases o material en polvo. Las herramientas eléctricas producen chispas que pueden llegar a inflamar los materiales en polvo o vapores.

c) Mantenga alejados a los niños y otras personas de su área de trabajo al emplear la herramienta eléctrica. Una distracción le puede hacer perder el control sobre la herramienta.

2) SEGURIDAD ELÉCTRICA

a) El enchufe de la herramienta debe corresponder a la toma de corriente utilizada. No es admisible modificar el enchufe en forma alguna. No emplear adaptadores en herramientas dotadas con una toma de tierra. Los enchufes sin modificar adecuados a las respectivas tomas de corriente reducen el riesgo de una descarga eléctrica.

b) Evite que su cuerpo toque partes conectadas a tierra como tuberías, radiadores, cocinas y

refrigeradores. El riesgo a quedar expuesto a una descarga eléctrica es mayor si su cuerpo tiene contacto con tomas de tierra.

c) No exponga las herramientas eléctricas a la lluvia o a condiciones de humedad. Existe el peligro de recibir una descarga eléctrica si penetran líquidos en la herramienta.

d) No utilice el cable de red para transportar o colgar la herramienta, ni tire de él para sacar el enchufe de la toma de corriente. Mantenga el cable de red alejado del calor, aceite, esquinas cortantes opiezas móviles. Los cables de red dañados o enredados pueden provocar una descarga eléctrica.

e) Al trabajar con la herramienta eléctrica en laintemperie utilice solamente cables de prolongación homologados para su uso en exteriores. Lautilización de un cable de prolongación adecuado para su uso en exteriores reduce el riesgo de una descargaeléctrica.

f) Si el funcionamiento de una herramienta eléctricaen un lugar húmedo fuese inevitable, utilice uncortacircuito de fuga a tierra. El uso de un cortacircuito de fuga a tierra reduce el riesgo de descarga eléctrica.

3) SEGURIDAD DE PERSONAS

a) Esté atento y emplee la herramienta con prudencia. No utilice la herramienta eléctrica si estuviesecansado, ni bajo los efectos de alcohol, drogas o medicamentos. El no estar atento durante el uso de unaherramienta eléctrica puede provocarle serias lesiones.

b) Utilice un equipo de protección personal y en todo caso unas gafas de protección. El riesgo a lesionarse se reduce considerablemente si, dependiendo del tipo y la aplicación de la herramienta eléctrica empleada, seutiliza un equipo de protección adecuado como una mascarilla antipolvo, zapatos de seguridad con suela antideslizante, casco, o protectores auditivos.

c) Evite una puesta en marcha fortuita. Asegurarse de que la herramienta eléctrica esté desconectada antes de conectarla a la toma de corriente y/o al montar el acumulador, al recogerla, y al transportarla. Si transporta la herramienta eléctrica sujetándola por el interruptor de conexión/desconexión, o si introduce el enchufe en la toma de corriente con la herramienta eléctrica conectada, ello puede dar lugar a un accidente.

d) Retire las herramientas de ajuste o llaves fijas antes de conectar la herramienta eléctrica. Una herramienta o llave colocada en una pieza rotativa puede producir lesiones graves al accionar la herramienta eléctrica.

e) Sea precavido. Trabaje sobre una base firme y mantenga el equilibrio en todo momento. Ello le permitirá controlar mejor la herramienta eléctrica en caso de presentarse una situación inesperada.

f) Lleve puesta una vestimenta de trabajo adecuada. No utilice vestimenta amplia ni joyas. Mantenga su pelo, vestimenta y guantes alejados de las piezas móviles. La vestimenta suelta, las joyas y el pelo largo se pueden enganchar con las piezas en movimiento.

g) Siempre que sea posible utilizar equipos de aspiración o captación de polvo, asegúrese que éstos estén montados y que sean utilizados correctamente. El empleo de estos equipos reduce los riesgos derivados del polvo.

4) CUIDADO Y UTILIZACIÓN DE HERRAMIENTAS ELÉCTRICAS

a) No sobrecargue la herramienta. Use la herramienta prevista para el trabajo a realizar. Con la herramienta adecuada podrá trabajar mejor y con mayor seguridad dentro del margen de potencia indicado.

b) No utilice herramientas con un interruptor defectuoso. Las herramientas que no se puedan conectar o desconectar son peligrosas y deben repararse.

c) Saque el enchufe de la red y/o desmonte el acumulador antes de realizar un ajuste en la herramienta eléctrica, cambiar de accesorio o al guardar la herramienta eléctrica. Esta medida preventiva reduce el riesgo de conectar accidentalmente la herramienta.

d) Guarde las herramientas fuera del alcance de los niños y de las personas que no estén familiarizadas con su uso. Las herramientas utilizadas por personas inexpertas son peligrosas.

e) Cuide su herramientas con esmero. Controle si funcionan correctamente, sin atascarse, las partesmóviles de la herramienta, y si existen partes rotas o deterioradas que pudieran afectar al funcionamiento de la herramienta. Si la herramienta eléctrica estuviese defectuosa haga repararla antes de volver a utilizarla. Muchos de los accidentes se deben a herramientas con un mantenimiento deficiente.

f) Mantenga los útiles limpios y afilados. Los útiles mantenidos correctamente se dejan guiar y controlar mejor.

g) Utilice herramientas eléctricas, accesorios, útiles,etc. de acuerdo con estas instrucciones,

teniendo en cuenta las condiciones de trabajo y la tarea a realizar. El uso de herramientas eléctricas para trabajos diferentes de aquellos para los que han sido concebidas puede resultar peligroso.

5) CUIDADO Y UTILIZACIÓN DE HERRAMIENTAS ACCIONADAS POR ACUMULADOR

- a) **Cargue los acumuladores únicamente con los cargadores recomendados por el fabricante.** Existe riesgo de incendio al intentar cargar acumuladores de un tipo diferente al previsto para el cargador.
- b) **Emplee únicamente los acumuladores previstos para la herramienta eléctrica.** El uso de otro tipo de acumuladores puede provocar daños e incluso un incendio.
- c) **Si no utiliza el acumulador, guárdelo separado de clips, monedas, llaves, clavos, tornillos o demás objetos metálicos que pudieran puentear sus contactos.** El cortocircuito de los contactos del acumulador puede causar quemaduras o un incendio.
- d) **La utilización inadecuada del acumulador puede provocar fugas de líquido. Evite el contacto con él. En caso de un contacto accidental enjuagar el área afectada con abundante agua. En caso de un contacto con los ojos recurra además inmediatamente a un médico.** El líquido del acumulador puede irritar la piel o producir quemaduras.

6) SERVICIO

a) **Únicamente haga reparar su herramienta eléctrica por un profesional, empleando exclusivamente piezas de repuesto originales.** Solamente así se mantiene la seguridad de la herramienta eléctrica.

INSTRUCCIONES DE SEGURIDAD PARA TALADROS/

ATORNILLADORES SIN CABLE

- Evite los daños que puedan causar los tornillos, clavos y otros objetos sobre la pieza de trabajo; retírelos antes de empezar a trabajar
- Compruebe siempre que la tensión de alimentación es la misma que la indicada en la placa de características del cargador
- En caso de un mal funcionamiento eléctrico o mecánico se debe parar inmediatamente la herramienta o desenchufar el cargador de la red
- Maxpro únicamente puede garantizar un funcionamiento correcto de la herramienta al emplear accesorios originales
- Utilice únicamente accesorios cuyo límite de revoluciones permitido sea como mínimo igual a las revoluciones en vacío máximas de la herramienta
- La herramienta/el cargador no está pensada/o para ser utilizado/a por personas (incluidos niños) con capacidades físicas, sensoriales o mentales disminuidas o falta de experiencia y conocimientos, a menos que estén bajo la supervisión o instrucciones relativas al uso de la herramienta/del cargador por parte de una persona responsable de su seguridad
- Asegúrese de que los niños no jueguen con la herramienta/el cargador
- **Asegure la pieza de trabajo** (una pieza de trabajo fijada con unos dispositivos de sujeción o en un tornillo de banco, se mantiene sujeta de forma mucho más segura que con la mano)
- **Sujete la herramienta únicamente por las empuñaduras aisladas al realizar trabajos en los que el accesorio pueda tocar conductores eléctricos ocultos o el propio cable de la herramienta** (el contacto con conductores portadores de tensión puede hacer que las partes metálicas de la herramienta le provoquen una descarga eléctrica)
- **Utilice aparatos de detección adecuados para localizar posibles conductores o tuberías ocultas, o consulte a su compañía abastecedora** (el contacto con conductores eléctricos puede provocar una descarga eléctrica e incluso un incendio; al dañar una tubería de gas puede producirse una explosión; la perforación de una tubería de agua pueden causar daños materiales o una descarga eléctrica)
- **No trabaje materiales que contengan amianto** (el amianto es cancerígeno)
- El polvo del material, como por ejemplo la pintura que contiene plomo, algunas especies de madera, minerales y metal podrían ser dañinos (el contacto o inhalación del polvo podría producir reacciones alérgicas y/o trastornos respiratorios al operador u otras personas cerca); **utilice una máscara contra el polvo y trabaje con un dispositivo de extracción de polvo cuando lo conecte**
- Ciertos tipos de polvo están catalogados como cancerígenos (por ejemplo el polvo de roble y de haya) especialmente junto con aditivos para el acondicionamiento de la madera; utilice una máscara contra el polvo y trabaje con un dispositivo de extracción de polvo cuando lo conecte

- Siga la normativa nacional en cuanto a extracción de polvo, en función de los materiales que vayan a ser utilizados
- Cerciorarse de que el interruptor está en la posición central (posición de bloqueo) antes de realizar ajustes en la herramienta o un cambio de accesorios así como para el transporte o para guardar la herramienta

RECARGA/BATERÍAS

- Recargue la batería únicamente con el cargador suministrado
- No toque los terminales del cargador
- No exponga la herramienta/cargador/batería a la lluvia
- No recargue la batería en entornos húmedos
- Guarde la herramienta/cargador/batería en un lugar donde la temperatura no exceda los 50°C ni baje de 0°C
- No utilice el cargador si está dañado; llévelo a uno de los servicios técnicos autorizados de Maxpro para hacer el examen de seguridad
- No utilice el cargador cuando el cable o la clavija estén dañados; el cable o la clavija deben cambiarse inmediatamente en uno de los servicios técnicos autorizados de Maxpro
- Nunca utilice la batería estropeada; debe de ser cambiada inmediatamente
- No desarme el cargador o la batería
- No intente recargar las baterías no recargables con el cargador
- Si usted prevee largos periodos de inactividad de la herramienta, sería conveniente desenchufar el cargador de la red

DESCRIPCIÓN DE SÍMBOLOS

	Leer el manual		Ponerse protección de los oídos
	Advertencia		Ponerse máscara de polvos
	Aislamiento doble		No debe disponer los aparatos viejos en la basura doméstica
	Ponerse gafas de seguridad		Si prega di scollegare l'alimentazione prima della manutenzione

INSTRUCCIONES DE USO

Apague siempre el taladro antes de poner o quitar la batería. Instalación de la batería

-Sosteniendo el taladro verticalmente y coge la batería en la otra mano, coloque los dos dedos sobre los botones de liberación de la batería e inserte la batería hasta que encaje en su lugar.

-No use fuerza excesiva al insertar la batería, si la batería no se desliza fácilmente, puede ser que no se haya insertada correctamente, es posible también que pueda haber daños en la batería, en el terminal de la batería o el taladro.

Extracción de la batería

Presione ambos botones de la liberación de la batería y tire suavemente la batería del taladro.

NOTA: Si la luz de la carga no se enciende.

Compruebe que el cargador esté conectado a la toma de corriente y encendido.

Compruebe que la batería esté firmemente puesta sobre el cargador.

Instalación de la broca o punta atornillador

-Retire la batería del taladro.

-Abre o cierra el porta-brocas sin llave hasta un punto en que la abertura sea un poco más grande que la punta atornillador de la broca que vaya a utilizar.

-Inserte la broca o punta atornillador en el porta-brocas sin llave, asegurando que el extremo de la broca o el conductor no toque el tornillo interior del porta-brocas.

-Apriete el porta-brocas sin llave por la broca o el controlador como se describe anteriormente.

Extracción de la broca o punta atornillador

-Retire la batería del taladro.

-Afloje el mandril sin llave como se describió anteriormente.

-Retire la broca o punta atornillador del mandril sin llave.

Nota: No utilice brocas y otros accesorios sin guantes, como son agudas o pueden estar calientes después de su uso, y esto puede causar daños a los personales.

Consejos generales para la perforación de los materiales

-Siempre use brocas afiladas.

-Marque el punto donde desea perforar con la máquina.

-Comienza con una velocidad lenta para iniciar la operación (véase la sección del "Control de velocidad" para obtener más instrucciones sobre cómo realizar el trabajo).

-Reduce la presión por las manos sobre el taladro cuando la broca está a punto de perforar a través del material.

Perforación de metal

-Apoyar el material fino con un pedazo de madera de desecho.

-Use un punzón para marcar la posición del agujero.

-Para una perforación de un orificio grande, use primero una broca de tamaño pequeño para establecer un agujero piloto y a continuación, utilice una broca grande de tamaño requerido para el trabajo.

-Utilice sólo brocas de HSS (acero rápido) o los recomendados para el uso sobre metales.

-Al perforar sobre el hierro o acero, use el lubricante de refrigeración como el aceite fino, y para la perforación del aluminio, use el aguarrás o la parafina, y para perforar sobre latón, cobre y hierro fundido, no utilice ningún lubricante, sino simplemente retirar el taladro con regularidad para ayudar a enfriar con aire.

Perforación de madera

-Marque el punto en la superficie donde desea realizar la perforación con un punzón o un clavo.

-Para evitar que se astille el otro extremo por la fuerza rotativa de la broca, o bien fijar un trozo de madera en la parte posterior de la pieza de trabajo o continuar el trabajo por el agujero de la parte posterior de la madera.

Configuración de velocidad (apriete el poder de su taladro)

-Cuando se utiliza el taladro para diversas aplicaciones de trabajo en atornillar, es necesario aumentar y/o disminuir la potencia y el par de motor con el fin de evitar la posibilidad de dañar las puntas atornilladores, los tornillos, o las piezas de trabajo, etc.

-En general, la potencia y el par de motor deben corresponder al grado del tornillo para ser accionado. Si la potencia sea demasiada alta, los tornillos pueden ser dañados o rotos.

Para ajustar la torsión

• Coloque la flecha en la parte frontal de la carcasa del taladro.

• Identifique las posiciones de torsión y seleccione la posición 1 de taladrado en el collar de ajuste.

• Gire el anillo de ajuste del par en la posición deseada, alineando el número requerido en el collar de ajuste con la flecha en la carcasa del taladro.

• Según la necesidad de aumentar o disminuir la torsión, gire el anillo de ajuste de par. Cuanto mayor sea el número, mayor la torsión va a ser, y viceversa.

Compruebe siempre que el esfuerzo de torsión es seleccionado mediante la práctica en material de desecho antes de llevar a cabo un trabajo. El ajuste del esfuerzo de torsión requerido para accionar los tornillos será diferente con diferentes materiales. Comience con la creación del par en el número que usted cree que es apropiada y simplemente aumentando el esfuerzo de torsión a un número mayor si la cabeza del tornillo no está sentado a ras sobre la pieza de trabajo. Retire el tornillo después de ajustarlo y re-conducir el tornillo de nuevo en la pieza de trabajo hasta que el ajuste del esfuerzo de torsión de apriete sea correcto.

Porta-brocas sin llave

-Un mandril sin llave se incluye en el taladro para permitir una fácil instalación y desinstalación de las brocas y demás accesorios. El mandril se divide en dos partes. La parte trasera se llama el cuello y la parte delantera es el cuerpo.

-Para abrir y cerrar el porta-brocas automático, sujete y sostenga el cuello del porta-brocas con una mano y gire el cuerpo del mismo con la otra mano.

-Las flechas del porta-brocas indican en qué dirección gira el cuerpo del mismo con el fin de APRETAR o DESBLOQUEAR de la broca.

¡Advertencia! No sostenga el cuerpo del mismo con una mano y utilizar el taladro para apretar o aflojar las mandíbulas de apriete. El cuerpo del mismo puede resbalar y las manos pueden entrar en contacto con un accesorio giratorio. Esto podría causar un accidente y resultar lesiones personales.

Cambiar el sentido de giro

-El sentido de giro del taladro puede cambiarse con el selector de marcha de adelante / atrás, este que se encuentra por encima del interruptor de velocidad variable.

-Para seleccionar la posición de perforación hacia adelante, empuje el selector de avance / retroceso de la parte izquierda del aparato. Para seleccionar la posición de perforación reversa, empuje el selector hacia el extremo derecho del marcha adelante / atrás.

-El interruptor de velocidad variable puede ser bloqueado por el selector de marcha de adelante / marcha atrás en el medio de ambas posiciones de avance y retroceso.

-No cambie la dirección de rotación mientras que el mandril sin llave está en el movimiento.

Encender y apagar el aparato

• Presione el interruptor de encendido / apagado. Se regula la velocidad del aparato por la transmisión de potencia del interruptor.

• Suelte el interruptor de encendido / apagado para detener el mandril.

• Mueva el interruptor de cambio de la dirección en el medio con el fin de bloquear el aparato en el estado desactivado. Sólo fijarse el aparato en esta posición cuando ha dejado de operar por completo. - No lo coloque sobre una superficie polvorienta con polvos ya que podrían entrar en el aparato y dañarlo.

Control de velocidad

El taladro tiene una caja de cambios de 2 velocidades y el selector de velocidades se encuentra en la parte superior de la máquina. El primer engranaje tiene un alcance de 0-350/min y el segundo engranaje tiene un alcance de 0-1100/min, la velocidad puede variarse de 0 a máximo por el interruptor. De esta manera usted puede seleccionar la velocidad óptima para el trabajo requerido.

Luces LED

-El taladro tiene una luz LED integrada en la unidad, esta luz LED se ubica por encima del interruptor de velocidad. La luz LED se enciende automáticamente cuando se aprieta el interruptor de velocidad variable.

-La luz LED ilumina las zonas oscuras en curvas cerradas para poder ayudar con el trabajo de la perforación y atornillado. Esto ayuda a lograr un resultado más preciso en la pieza de trabajo.

INDICADOR LED DE POTENCIA

3 Luces LED le mostrará la capacidad de la batería

Carga de la batería

• Coloque el soporte de la pila sobre una superficie plana y conecte el cargador a una toma de corriente. La luz verde indica la potencia.

• Coloque la batería en el soporte de la batería.

• Durante la carga, las dos luces roja y verde se encienden en las porta-pilas.

• Cuando la luz verde se enciende, esto indica que la carga se ha completada y los dispositivos están listos para su funcionamiento. La batería llevará una hora para completar la carga. Cuando la batería está caliente, no puede recargarse inmediatamente. Esta es una característica especial de la batería de iones de litio ya que cargarse mientras que la baterías está en caliente puede cortar su vida útil. En este caso, la luz verde se encenderá sólo cuando se inserta la batería en la carga. La batería debe enfriarse en unos minutos y comenzará la cargar automáticamente cuando se enfría.

La carga inicial

Cargue la batería durante una hora y utilizarla hasta que se agota y sólo en funcionamiento con lentitud. Repita este proceso de carga y descarga de aproximadamente 4-5 veces, esto asegurará que la batería está funcionando a su máxima capacidad.

El cargador no se apagará cuando la batería está completamente cargada.

Notas importantes de carga

El cargador y la batería pueden estar calientes al tacto durante la carga. Esta es una condición normal y no indica ningún problema.

Utilice el cargador a temperatura ambiente normales siempre que sea posible. Para evitar el

sobrecalentamiento, no cubra el cargador y no deje la batería bajo la luz solar directa o a fuentes de calor.

Si la batería no se carga correctamente:

1. Compruebe la toma de corriente y enchufar una lámpara u otro aparato para ver.
2. Si los problemas de carga persisten, tenga el taladro revisado por un electricista o un taller de reparación de herramientas eléctricas.

Batería

La duración del servicio de cada ciclo de carga dependerá del tipo de trabajo que usted está realizando. La batería del taladro ha sido diseñada para proporcionar una máxima vida útil y libre de problemas. Sin embargo, como todas las baterías, esta batería va a ser gastada al final.

Para lograr una vida útil más larga posible de la batería, le sugerimos lo siguiente: Almacene y cargue su batería en un área fresca siempre. Las temperaturas más altas o más bajas que la de temperatura ambiental normal acortarán la vida útil de la batería.

Nunca almacene las baterías en una condición descargada. Recargue todas las baterías de inmediato después de que sean descargadas. Todas las baterías pierden gradualmente su carga. Más alto sea la temperatura, más rápidamente pierden su carga. Si vaya a guardar el taladro durante un largo período de tiempo sin usarla, recárguelas en cada mes o cada dos meses. Esto servirá para prolongar la vida útil de las baterías.

Asegúrese de que la máquina no está en vivo bajo la realización de trabajos de mantenimiento del motor. Estas máquinas han sido diseñadas para operar durante un largo período de tiempo con un mínimo de mantenimiento. El funcionamiento satisfactorio continuado depende de un cuidado adecuado de la máquina y una limpieza con regularidad.

MANTENIMIENTO Y LIMPIEZA

Cuando el aparato no está en uso, el taladro debe ser almacenado en un lugar seco y fuera del alcance de los niños. Mantenga las ranuras de la ventilación de la máquina limpia en todo momento y evitar entrar materiales. Si la carcasa del taladro requiere una limpieza adecuada, no utilizar disolventes sino un paño suave y humedecido. Sopla las ranuras de ventilación con aire comprimido periódicamente.

Limpieza

Mantenga las ranuras de ventilación de la máquina limpia para evitar el sobrecalentamiento del motor. Limpie periódicamente la carcasa de la máquina con un paño suave, y preferiblemente limpiarla después de cada uso. Mantenga las aberturas de ventilación libres de polvo y suciedad. Si la suciedad no sale de la carcasa utilice un paño suave humedecido de agua jabonosa. Nunca utilice disolventes como gasolina, alcohol, amoníaco, etc. como detergentes de limpieza. Estos disolventes pueden dañar las piezas de plástico.

Lubricación

La máquina no requiere ninguna lubricación adicional.

AMBIENTE

No deseche las herramientas eléctricas, los accesorios y embalajes junto con los residuos domésticos

- de conformidad con la Directiva Europea 2002/96/CE sobre residuos de aparatos eléctricos y electrónicos y su aplicación de acuerdo con la legislación nacional, las herramientas eléctricas cuya vida útil haya llegado a su fin se deberán recoger por separado y trasladar a una planta de reciclaje que cumpla con las exigencias ecológicas.

SOLUCIÓN DE PROBLEMAS

Problemas y fallos	Posibles causas	Solución de problemas
La máquina no trabaja	La batería está muerta	Cambiar a una batería bien cargada
	La batería está dañada	Cambiar a una batería bien cargada
	El motor está dañado	Cambiar el motor por un profesional
	El interruptor está dañado	Cambiar el interruptor por un profesional

La máquina se enciende pero no tiene fuerza	La batería no está suficientemente cargada	Cambiar a una batería bien cargada
	El engranaje de la máquina está dañado	Cambiar el engranaje por un profesional
	Desgaste del motor	Cambiar el motor por un profesional
Ruido anormal al encender la máquina	Desgaste en el engranaje del motor	Cambiar el engranaje por un profesional
	Daños en la caja del engranaje	Cambiar la caja del engranaje por un profesional
El portabrocas de la máquina se balancea	El portabrocas balancea fuertemente	Cambiar el portabrocas por otro bueno por un profesional
La batería no se deja cargar lo suficientemente	El enchufe del cargador no está enchufado en la toma de corriente	Enchufar el enchufe en una toma de corriente
	Desconexión de la alimentación	Reparar y conectar la fuente de alimentación
	El fusible del cargador está roto o dañado	Reparar o cambiar el cargador de la batería por un profesional
	La batería está dañada	Cambiar la batería

Содержание

ОБЩИЕ УКАЗАНИЯ.....	27
ТЕХНИЧЕСКИЕ ХАРАКТЕРИСТИКИ.....	28
СЕРТИФИКАЦИЯ.....	28
НАЗНАЧЕНИЕ.....	28
КОМПЛЕКТ ПОСТАВКИ.....	28
КОНСТРУКТИВНЫЕ ОСОБЕННОСТИ.....	29
МЕРЫ БЕЗОПАСНОСТИ.....	32
ПОДГОТОВКА К РАБОТЕ.....	33
РЕКОМЕНДАЦИИ ПО РАБОТЕ.....	35
ОБСЛУЖИВАНИЕ.....	35
ХРАНЕНИЕ.....	35
ТРАНСПОРТИРОВАНИЕ.....	35
ЗАЩИТА ОКРУЖАЮЩЕЙ СРЕДЫ И УТИЛИЗАЦИЯ.....	35

ОБЩИЕ УКАЗАНИЯ

При покупке изделия в розничной торговой сети требуйте проверки его работоспособности и комплектности, а также штампа торгующей организации и даты продажи в гарантийном талоне.

Чтобы избежать недоразумений внимательно ознакомьтесь с данной Инструкцией. Обращаем Ваше внимание на исключительно *бытовое* назначение данного изделия, т. е. оно не должно использоваться для профессиональных работ или в коммерческих целях.

На изделии размещены специальные пиктограммы, обращающие Ваше внимание на наиболее важные моменты.

	<p>Внимательно прочитайте данную Инструкцию.</p>		<p>Соблюдайте требования техники безопасности, особенно вблизи с вращающимися (движущимися) деталями и инструментами.</p>
	<p>Зарядное устройство изготовлено по второму (II) классу защиты от поражения электрическим током.</p>		
	<p>Примите меры по экологически чистой утилизации пришедшей в негодность упаковки, изделия или аксессуаров.</p>	  	<p>Всегда используйте надлежащие защитные средства.</p>

ТЕХНИЧЕСКИЕ ХАРАКТЕРИСТИКИ

Модель	MPCD12Li/2V
Артикул	112-0023
Напряжение аккумуляторной батареи	12 В max
Тип двигателя	№ 550
Число оборотов шпинделя без нагрузки:	положение 1 0 -350 об/мин
	положение 2 0 -1350 об/мин
Диаметр хвостовика, зажимаемый патроном	0,8-10 мм
Максимальный крутящий момент шпинделя	25 Нм
Количество ступеней регулятора ограничения крутящего момента	18+1
Тип аккумулятора батареи	Li-ion
Емкость аккумуляторной батареи	1,5 А*час
Ориентировочное время зарядки аккумуляторной батареи	1 час
Уровень звукового давления по EN 60745	(67±3) дБ(А)
Уровень акустической мощности по EN 60745	(78±3) дБ(А)
Уровень вибрации по EN 50144	(1,0±1,5) м/сек ²
Вес по EPTA-Procedure 01/2003	1,0 кг

СЕРТИФИКАЦИЯ

Изделие соответствует требованиям технических регламентов Таможенного Союза: «О безопасности низковольтного оборудования (ТР ТС 004/2011), «Электромагнитная совместимость технических средств» (ТР ТС 020/2011), «О безопасности машин и оборудования» (ТР ТС 010/2011).

НАЗНАЧЕНИЕ

Аккумуляторная электродрель – шуруповерт артикул 85026 (в дальнейшем шуруповерт) позволяет работать в условиях либо отсутствия стационарного электропитания, либо невозможности или неудобства использования этого электропитания, и предназначена для следующих работ.

- 1 Закручивание/выкручивание шурупов, саморезов, винтов, болтов и гаек.
- 2 Допускается кратковременно использовать шуруповерт для сверления отверстий в металлах, пластмассах или древесине.

КОМПЛЕКТ ПОСТАВКИ*

Дрель-шуруповерт аккумуляторная
Зарядное устройство для аккумуляторной батареи**
Аккумуляторная батарея 2 шт.**

Сверла 1.5/2/3/4/5/6 мм**
Магнитный держатель для бит**
Биты T20/T25/SL6 x2 шт / PZ1 x 2 шт.**
Крышка батарейного отсека 2 шт.**
Металлическая клипса для крепления на ремень**
Кейс пластиковый**

*Производитель имеет право на конструктивные изменения с целью улучшения качества и дизайна, а также на изменение комплектации изделия.

**Принадлежности являются расходным материалом и на них гарантийные обязательства не распространяются.

КОНСТРУКТИВНЫЕ ОСОБЕННОСТИ

Конструктивно шуруповерт состоит из электрического двигателя, трехступенчатого планетарного редуктора со шпинделем и безключевым патроном, ограничителя крутящего момента и аккумуляторной батареи. Эти узлы размещены в корпусе и его ручке. Кроме того, в комплект поставки входит зарядное устройство для быстрой зарядки аккумуляторной батареи.

1 Коллекторный двигатель постоянного тока оснащен электронным выключателем/регулятором оборотов двигателя с переключателем направления его вращения. На вале двигателя установлена ведущая шестерня редуктора.

2 Трехступенчатый планетарный редуктор понижает обороты двигателя и обеспечивает необходимый крутящий момент вала шпинделя. Планетарный тип редуктора позволяет уменьшить его габариты, а применение полиамидной пластмассы вместо металлов – снизить вес и потери от трения. Внутренняя шестерня второй ступени подвижная, двухпозиционная вдоль оси вращения, что позволяет скачком изменять коэффициент передачи редуктора с помощью клавиши 3 (см. рис. на развороте титульного листа и рис.б) и ограничивать, тем самым, максимальные обороты шпинделя значением 350 об/мин (положение «1») или значением 1300 об/мин (положение «2»). Внутренняя шестерня третьей ступени может при определенных условиях вращаться вокруг своей оси, что в свою очередь прекращает вращение шпинделя. Вращение внутренней шестерни начинается тогда, когда крутящий момент шпинделя начинает превышать определенную величину, задаваемую ограничителем крутящего момента.

Кроме того, редуктор имеет замок шпинделя, блокирующий его при попытке вручную (когда выключен шуруповерт) повернуть патрон по часовой стрелке, либо против часовой стрелки.)

3 Ограничитель крутящего момента состоит из винта с регулятором момента 1 (см. рис. на развороте титульного листа и рис.3), сжимающим пружину, которая, в свою очередь, тормозит внутреннюю шестерню третьей ступени. Регулятор момента, в положениях “1” – “17” ограничивает величину крутящего момента шпинделя шуруповерта, причем меньшей цифре соответствует меньший момент. В положении, имеющем условное изображение сверла, момент шпинделя не ограничивается и определяется мощностью двигателя, т.е. равен 26 Нм. Для установки регулятора момента в нужное положение совместите соответствующий знак на нем со стрелкой на корпусе.

Внимание! Чтобы не сорвать шлицы шурупов, винтов и т. д. во время закручивания или выкручивания, а также для продления срока службы шуруповерта, следует проводить работы при минимально необходимом положении регулятора момента.

4 Особенности корпуса шуруповерта.

4.1 Корпус имеет переключатель направления вращения (реверс) с кнопкой 5 (см. рис. на развороте титульного листа и рис.4). Если утопить кнопку так, как показано слева на рис.4, то после нажатия и удерживания клавиши включения 6, шпиндель начнет вращаться по часовой стрелке. Если утопить кнопку так, как показано справа на рис.4, то после нажатия и удерживания клавиши включения, шпиндель начнет вращаться против часовой стрелки. Если кнопку переключения направления вращения 5 установить в среднее положение (см. средний рис.4), то она блокирует клавишу 6 (включить шуруповерт невозможно).

4.2 В верхней части ручки корпуса расположена клавиша 6 (см. рис. на развороте титульного листа и рис.5) выключателя/регулятора оборотов, а над ней установлен светодиод подсветки 4, освещающий рабочую зону при нажатой клавише включения. Если нажать, плавно увеличивая усилие, клавишу вы-

ключателя 6, то шуруповерт включится, причем обороты двигателя будут расти по мере утапливания клавиши. Если клавишу отпустить, то она вернется в исходное положение, а шуруповерт выключится.

Внимание! При перерывах в работе, после выключения шуруповерта рекомендуется устанавливать переключатель реверса в среднее положение.

4.3 В нижней части ручки корпуса имеется ниша с разъемом для подключения аккумуляторной батареи 7 (см. рис. на развороте титульного листа и рис. 1).

4.4 Над клавишей выключателя расположен индикатор степени разряда аккумуляторной батареи, состоящий из трех светодиодов. Включается индикатор вместе со светодиодом подсветки. Если загорается только один светодиод, то аккумуляторную батарею необходимо заряжать. Индикатор функционирует, естественно, при установленной и исправной батарее.

5 Изделие рассчитано на установку в него Li-ion аккумуляторной батареи емкостью 1,3 А*час с номинальным напряжением 10,8 В. Корпус батареи имеет специальные замки для фиксации ее в шуруповерте. Перед выемкой батареи из шуруповерта предварительно необходимо одновременно утопить обе кнопки замков. Напряжение аккумуляторной батареи изделия ниже 24 В постоянного тока, что позволяет работать без применения индивидуальных средств защиты от поражения электрическим током и не требует заземления шуруповерта.

6 В комплект поставки изделия входит импульсное зарядное устройство (см. рис.7) для быстрой зарядки аккумуляторной батареи. Предназначено устройство только для работы в отапливаемых помещениях и имеет двойную электрическую изоляцию (класс защиты от поражения электрическим током – II), что позволяет заряжать батарею этим устройством без применения индивидуальных средств защиты от поражения электрическим током, и не требует заземления зарядного устройства.

МЕРЫ БЕЗОПАСНОСТИ

Безопасная работа изделия возможна только после внимательного изучения потребителем настоящей Инструкции перед проведением работ и при условии соблюдения им изложенных в ней требований. Несоблюдение этих требований может стать причиной не только отказов или инцидентов, но и критических отказов или аварий. В следующих подразделах приведен перечень критических отказов и возможных ошибочных действий потребителя, которые приводят к инциденту или аварии. Там же описаны действия потребителя в этих случаях.

Запрещается эксплуатация изделия

- 1 Во взрывоопасных помещениях или помещениях с химически активной средой.
- 2 В условиях воздействия капель и брызг, а также на открытых площадках при атмосферных осадках.
- 3 При обнаружении перед работой или возникновении во время работы хотя бы одной из следующих неисправностей.

- 3.1 Кольцевое искрение щеток на коллекторе, что указывает на неисправность двигателя.
- 3.2 Появление дыма или запаха, характерного для горячей изоляции.
- 3.3 Неисправность или нечеткая работа выключателя.
- 3.4 Вытекание смазки из вентиляционных прорезей корпуса.
- 3.5 Появление нехарактерных звуков (стука).
- 3.6 Поломки или трещины в патроне, деталях корпуса изделия, либо корпуса аккумуляторной батареи.
- 3.7 Неисправность сменного инструмента. Неисправный сменный инструмент - это сломанный, тупой, искривленный (приводящий к биению), неподходящий по форме шлица или диаметру хвостовика инструмент (см. раздел **ТЕХНИЧЕСКИЕ ХАРАКТЕРИСТИКИ**).

Запрещается эксплуатация зарядного устройства (зарядка аккумулятора)

- 1 Во взрывоопасных помещениях или помещениях с химически активной средой.
- 2 Вне отапливаемых помещений.
- 3 При неисправной электропроводке или электрической розетке, а так же если их токовые параметры ниже требуемых со стороны зарядного устройства (см. его максимальный потребляемый ток).
- 4 При несоответствии характеристик электрической сети, имеющейся в месте проведения работ, следующим значениям: напряжение 220 В ±10% переменного тока с частотой 50 Гц.
- 5 При повреждении корпуса, вилки, электрического провода зарядного устройства или его разъема.
- 6 При наличии механических повреждений корпуса аккумуляторной батареи или ее разъема.

Запрещается при эксплуатации изделия

- 1 Заземлять изделие.
- 2 Работать с приставных лестниц.
- 3 Передавать шуруповерт лицам, не имеющим права пользоваться им.
- 4 Превышать предельно допустимую продолжительность работы (см. раздел **РЕКОМЕНДАЦИИ ПО РАБОТЕ**).

5 Передавать шуруповерт для эксплуатации лицам моложе 18 лет, либо лицам, не имеющим навыков работы с данным изделием, которые не прошли инструктаж по правилам безопасности и не прочитали данную Инструкцию.

Общие правила безопасности при эксплуатации изделия

- 1 Учитывайте влияние окружающей среды.
- 1.1 Не подвергайте изделие воздействию атмосферных осадков.
- 1.2 Не пользуйтесь изделием поблизости от легковоспламеняющихся жидкостей и газов.
- 1.3 Не пользуйтесь изделием для обработки сырых материалов.
- 1.4 Позаботьтесь о хорошем освещении.
- 2 Избегайте физического контакта с заземленными объектами (металлическими трубами, батареями и т.д.).
- 3 Перед началом работы проверяйте рабочую зону на наличие скрытых коммуникаций (газопровода, водопровода, электрической или телефонной проводки и т.д.).
- 4 Не позволяйте посторонним людям и животным приближаться к месту работы.
- 5 При работах связанных с образованием пыли пользуйтесь пылеуловителями, особенно в закрытых помещениях.
- 6 Не подвергайте изделие перегрузкам.
- 6.1 Используйте его строго по назначению.
- 6.2 Используйте только рекомендованный и исправный сменный инструмент.
- 6.3 Исключите при работе падение оборотов или остановку двигателя вследствие чрезмерной подачи или заклинивания инструмента. **При заклинивании немедленно выключите изделие!**
- 7 Носите подходящую одежду и используйте защитные средства (защитные очки, пылезащитная маска, наушники и т. д.).
- 8 Надежно закрепляйте обрабатываемую деталь.
- 8.1 При необходимости пользуйтесь тисками или струбциной.
- 8.2 Запрещается зажимать в тиски само изделие.
- 9 Содержите в порядке рабочее место. Прежде чем включить изделие, проверьте, не забыли ли Вы убрать из зоны работы ключи, отвертки и другой вспомогательный инструмент.
- 10 Всегда будьте внимательны.
- 10.1 При всех видах работы обязательно держите шуруповерт так, чтобы не закрывать вентиляционные прорези.
- 10.2 Не отвлекайтесь во время работы, выполняйте ее вдумчиво.
- 10.3 Старайтесь работать в устойчивом положении, постоянно сохраняя равновесие, причем инструмент и обрабатываемая поверхность должны находиться в поле Вашего зрения.
- 10.4 Поднесите изделие к материалу, с которым после перерыва продолжаете работать, только после включения и набора оборотов двигателем.
- 10.5 Осторожно подводите и отводите инструмент к уже начатому отверстию, не допуская его заклинивания или падения оборотов двигателя из-за чрезмерной подачи.
- 10.6 Не допускайте механических повреждений, ударов, падения изделия на твердые поверхности и т. п.
- 10.7 Оберегайте шуруповерт от воздействия интенсивных источников тепла или химически активных веществ, а также от попадания жидкостей и посторонних твердых предметов внутрь изделия.
- 10.8 Не рекомендуется работать с изделием, если Вы сильно утомлены, находитесь в состоянии алкогольного опьянения или принимаете сильнодействующие медикаменты.

Общие правила безопасности при зарядке аккумулятора

- 1 Используйте только оригинальные или рекомендованные уполномоченными Сервисными центрами зарядные устройства и аккумуляторные батареи.
- 2 Правильно обращайтесь с электрическим проводом зарядного устройства.
- 2.1 Не носите зарядное устройство за провод.

- 2.2 Провод должен быть защищен от случайного повреждения (острыми гранями, движущимся рабочим инструментом и т. д.).
- 2.3 Не допускайте непосредственного соприкосновения провода с горячими или масляными поверхностями.
- 2.4 Для отключения устройства от сети беритесь за вилку, а не за провод.
- 2.5 Если провод поврежден в процессе работы, то, не касаясь провода, выньте вилку из розетки и замените провод или все устройство в Сервисном центре.
- 3 Пользуйтесь, в случае необходимости, электрическими сетевыми удлинителями промышленного производства, рассчитанными на ток, потребляемый Вашим зарядным устройством (см. его максимальный потребляемый ток).

ПОДГОТОВКА К РАБОТЕ

Внимание!

- 1 Используйте изделие и аксессуары в соответствии с настоящей Инструкцией и в целях, для которых они предназначены.
- 2 Использование изделия для других операций и в иных целях, чрезмерная перегрузка или непрерывная работа свыше 20 минут может привести к его выходу из строя.
- 3 Ознакомьтесь с предыдущими разделами и выполняйте изложенные в них требования.

Зарядка аккумуляторной батареи

Внимание!

- 1 Аккумуляторная батарея поставляется с емкостью, равной приблизительно 50% номинальной.
- 2 Зарядка должна производиться в отапливаемом помещении с температурой +15 - +30°C и относительной влажностью не выше 75%.

Общие сведения о зарядке литий-ионных (Li-Ion) аккумуляторов

Поставляемые с шуруповертом литий-ионные батареи имеют встроенную систему контроля и управления (СКУ), продлевающую срок ее службы. В процессе заряда СКУ контролирует степень заряда, ток заряда и температуру батареи. В процессе разряда (работы батареи в шуруповерте) СКУ контролирует степень разряда и ток разряда. Если любой из контролируемых параметров выходит за допустимые значения, то СКУ отключает аккумулятор от зарядного устройства или шуруповерта.

Новые батареи для продления их срока службы поставляются с емкостью, равной приблизительно 50% номинальной. Поэтому эксплуатацию новой батареи и батареи после хранения надо начинать с ее полного разряда. Для этого надо эксплуатировать шуруповерт, в который она установлена, пока тот не остановится из-за срабатывания СКУ. Теперь аккумуляторную батарею требуется незамедлительно зарядить.

Подготовка к зарядке

- 1 Установите переключатель реверса **5** (см. рис. на развороте титульного листа, рис.4 и рис.7) шуруповерта в среднее положение.
- 2 Утопите кнопки замка аккумуляторной батареи **7** и выньте ее из шуруповерта.
- 3 Расположите аккумуляторную батарею на ровной горизонтальной поверхности (столе) так, как показано на рис.7. Обеспечьте отсутствие посторонних предметов в радиусе не менее 20 см вокруг батареи и сетевой розетки, к которой зарядное устройство (ЗУ) будет подключено.

Зарядка

- 1 Подключите зарядное устройство к сети электропитания. Должен загореться зеленый светодиод, сигнализирующий о том, что на устройство подается электропитание.
- 2 Вставьте штекер кабеля ЗУ в розетку аккумуляторной батареи. На ЗУ светодиод сменил свечение с зеленого на красное. Это означает, что происходит заряд аккумуляторной батареи. Во время зарядки батарея и зарядное устройство заметно нагреваются. **Внимание!** Возможны случаи, когда батарея перегреется в процессе зарядки (например, из-за высокой температуры в помещении, или при длительном попадании прямого солнечного света на батарею). При этом СКУ отключит батарею от зарядного устройства, на котором светодиод сменил свечение с красного на зеленое. После остывания батареи зарядка автоматически возобновится, а светодиод вновь сменил свечение на красное.
- 3 Засеките время начала заряда и определите время его окончания.

- 4 Приблизительно через 60 - 75 минут процесс зарядки закончится и светодиод сменил свечение на зеленое.
- 5 После окончания зарядки сначала отключите зарядное устройство от розетки электропитания, а затем выньте штекер из аккумуляторной батареи.
- 6 Убедитесь, что переключатель реверса шуруповерта находится в среднем положении. Вставьте аккумуляторную батарею в шуруповерт (см. рис.1) до щелчка ее замков без перекоса, не прикладывая чрезмерных усилий.

Замена сменного инструмента

Установка

- 1 **Внимание!** Установите кнопку переключения направления вращения **5** (см. рис. на развороте титульного листа и рис.2) в среднее положение для блокировки клавиши включения (включение двигателя невозможно).
- 2 Вращайте обойму патрона **2** против часовой стрелки, пока губки патрона не разойдутся достаточно.
- 3 Вставьте хвостовик сменного инструмента в патрон и вращайте его обойму по часовой стрелке для надежной фиксации хвостовика.

Извлечение

- 1 **Внимание!** Установите кнопку переключения направления вращения **5** (см. рис. на развороте титульного листа и рис.2) в среднее положение для блокировки клавиши включения (включение двигателя невозможно).
- 2 Вращайте обойму патрона **2** против часовой стрелки, пока губки патрона не разойдутся достаточно.
- 3 Извлеките сменный инструмент.

Первое включение

- 1 Распакуйте изделие и произведите осмотр комплекта поставки на предмет отсутствия внешних механических повреждений.
- 2 **Внимание!** Если при транспортировке температура окружающей среды была ниже +10°C, перед дальнейшими операциями необходимо выдержать изделие в помещении с температурой от +10 до +35°C и относительной влажностью не выше 75% не менее четырех часов. При этом желательно вынуть аккумуляторную батарею из шуруповерта. В случае образования конденсата на узлах и деталях изделия, его эксплуатация или дальнейшая подготовка к работе **запрещена** вплоть до полного высыхания конденсата.
- 3 Установите, если необходимо, нужный сменный инструмент (см. подраздел **Замена сменного инструмента**). **Внимание!** Перед установкой убедитесь, что включение двигателя заблокировано, т.е. кнопка переключения направления установлена в среднее положение.
- 4 Включите шуруповерт (см. раздел **КОНСТРУКТИВНЫЕ ОСОБЕННОСТИ**) и дайте ему поработать без нагрузки около трех минут. **Внимание!** Некоторое время возможен специфический запах, вызванный повышенным искрением щеток, т. к. происходит их притирание к коллектору, а из вентиляционных прорезей корпуса могут вылетать мелкие фрагменты смазки.
- 5 Проверьте режимы включения/выключения, переключатели реверса и частоты оборотов, а также функционирование патрона, светодиода подсветки и индикатора степени разряда аккумуляторной батареи.
- 6 Если проверки прошли успешно – можете приступать к работе. В противном случае обратитесь за консультацией в торгующую организацию или Сервисный центр.

РЕКОМЕНДАЦИИ ПО РАБОТЕ

- 1 Внимательно ознакомьтесь с предыдущими разделами и выполняйте изложенные в них требования.
- 2 Перед началом работы проверьте функционирование шуруповерта.
 - 2.1 Произведите осмотр изделия на предмет отсутствия внешних механических повреждений.
 - 2.2 Установите, если необходимо, требующийся инструмент.
 - 2.3 Проверьте работу изделия в течение 5 секунд без нагрузки, выполнив подраздел **Первое включение** предыдущего раздела.

3 **Помните!**

3.1 Изделие рассчитано на эксплуатацию при температуре окружающей среды от +5 до +35°C.

3.2 Патрон шуруповерта рассчитан только на установку сверел, имеющих цилиндрический хвостовик с диаметром, указанным в разделе **ТЕХНИЧЕСКИЕ ХАРАКТЕРИСТИКИ**, или бит с шестигранным стандартным хвостовиком 6,35 мм.

3.3 Продолжительность непрерывной работы шуруповерта не должна превышать 20 минут с последующим перерывом не менее десяти минут.

3.4 Суммарная продолжительность работы изделия составляет 30 часов в год, после чего требуется провести его профилактический послегарантийный осмотр с заменой смазки в Сервисном центре.

3.5 В шуруповерте используется редуктор планетарного типа, что приводит к незначительному бою шпинделя. С учетом области применения изделия, это обстоятельство не является недостатком.

4 Не прикладывайте к шуруповерту во время работы большого усилия, т. к. в этом случае обороты двигателя и, следовательно, производительность падают, а также появляется угроза вывести из строя двигатель. Осевое усилие на инструмент не должно превышать 5 кг. **Запрещается** прикладывать к шуруповерту радиальные (боковые) усилия.

5 Постоянно следите за состоянием аккумуляторной батареи, являющейся расходным материалом. Производите ее своевременную зарядку. Поставляемые литий-ионные батареи имеют встроенную систему контроля и управления (СКУ), отключающую аккумуляторную батарею как при чрезмерном отдаваемом батареей токе (такая ситуация может возникнуть при перегрузке шуруповерта в процессе работы), так и при разряде батареи. Если в процессе работы двигатель шуруповерта перестал вращаться при нажатой клавише выключателя, то это значит, что СКУ отключила батарею. Необходимо сделать паузу 2-3 минуты и продолжить работу шуруповертом не перегружая его. Если, через непродолжительное время, СКУ вновь отключит батарею, то это означает что она разряжена и аккумуляторную батарею необходимо незамедлительно зарядить (см. подраздел **Зарядка аккумуляторной батареи** предыдущего раздела). Продолжительность зарядки литий-ионной батареи имеет сильную зависимость от величины температуры при температурах ниже +15°C. Батарея практически перестает заряжаться при температуре около минус 3°C.

6 Биты могут устанавливаться либо непосредственно в патрон, либо с использованием переходника для бит. Следите, чтобы тип (PH, PZ и т.д.) и № биты соответствовал форме шлица шурупа.

7 Перед закручиванием шурупов просверлите начальное отверстие под винтовую нарезку и, если требуется, отверстие для не нарезанного участка шурупа.

8 При выкручивании сильно затянутых шурупов, болтов и гаек рекомендуется 1 – 2 оборота сделать обычной мощной отверткой.

9 Допускается использование шуруповерта для сверления неглубоких отверстий диаметром не более 10 мм в древесине и пластике. В таких случаях время непрерывной работы не должно превышать двух минут с последующим перерывом не менее десяти минут. При этом следует помнить, что у шуруповерта, в отличие от дрели, бой шпинделя не нормируется.

10 Не допускайте попадания пыли в вентиляционные прорези шуруповерта, что приводит к его перегреву. Следите за температурой корпуса машины в районе редуктора и двигателя, которая не должна превышать 50°C. При перегреве дайте поработать шуруповерту на холостых оборотах 20 – 40 секунд и выключите его для остывания и удаления пыли (см. также раздел **ОБСЛУЖИВАНИЕ**). **Внимание!** Наличие пыли в вентиляционных прорезях и внутри изделия является нарушением правил эксплуатации и основанием для снятия его с гарантийного обслуживания.

11 Сразу по окончании работ произведите обслуживание шуруповерта (см. раздел **ОБСЛУЖИВАНИЕ**).

12 В случае выхода из строя изделия, зарядного устройства или его электрического провода осуществляйте ремонт только в уполномоченных на это Сервисных центрах.

ОБСЛУЖИВАНИЕ

Внимание! Перед проведением ниже описанных работ убедитесь, что включение двигателя заблокировано, т.е. кнопка переключения направления вращения установлена в среднее положение.

Обслуживание включает в себя ежедневную очистку шуруповерта, но в первую очередь его вентиляционных прорезей и патрона, от пыли и грязи.

После работы в помещениях с повышенным содержанием пыли или мелких опилок и сразу после перегрева (см. раздел **РЕКОМЕНДАЦИИ ПО РАБОТЕ**, п. 10) необходимо продуть вентиляционные прорези, двигатель и патрон сжатым воздухом.

Регулярно смазывайте губки патрона небольшим количеством индустриального масла.

При попадании масла корпус изделия необходимо протереть ветошью, слегка смоченной уайт-спиритом. После этого его необходимо вытереть насухо.

Своевременно производите зарядку аккумуляторной батареи для продления срока ее службы.

Замену отработавшей свой срок аккумуляторной батареи производите только в уполномоченных на это Сервисных центрах или в местах, рекомендованных ими.

ХРАНЕНИЕ

Хранить изделие следует после проведенного в полном объеме обслуживания в помещении с относительной влажностью не выше 75% при температуре не ниже +5°C.

Аккумуляторные батареи надлежит хранить в помещении с относительной влажностью не выше 75% при температуре от 0 до +35°C (желательно при температуре от +5° до +10°C) и заряжать не реже, чем раз в 3 месяца после предварительной разрядки.

ТРАНСПОРТИРОВАНИЕ

Транспортировка предварительно прошедшего обслуживание и размещенного в штатную упаковку изделия производится в закрытых транспортных средствах в соответствии с правилами перевозки грузов, действующих на транспорте данного вида.

ЗАЩИТА ОКРУЖАЮЩЕЙ СРЕДЫ И УТИЛИЗАЦИЯ

Когда изделие, дополнительные принадлежности и упаковка придут в негодность, примите меры по экологически чистой их утилизации в соответствии с законодательством РФ.

Не сжигать!